

# **MS2421 / MS2422 / MS2431**

---

Bar Code Scanner

## **Installation and User's Guide**

---

## **Disclaimer**

Honeywell International Inc. (“HII”) reserves the right to make changes in specifications and other information contained in this document without prior notice, and the reader should in all cases consult HII to determine whether any such changes have been made. The information in this publication does not represent a commitment on the part of HII.

HII shall not be liable for technical or editorial errors or omissions contained herein: nor for incidental or consequential damages resulting from the furnishing, performance, or use of this manual.

This document contains propriety information that is protected by copyright. All rights reserved. No part of this document may be photocopied, reproduced, or translated into another language without the prior written consent of HII.

© 2010 Honeywell International Inc. All rights reserved.

Web Address: [www.honeywellaidc.com](http://www.honeywellaidc.com)

## **Trademarks**

Metrologic, MetroSelect, MetroSet2, StratosSCAN, StratosSPHERE, StratosSYNC, StratosSCOPE, StratosSWAP, and StratosSCHOOL are trademarks or registered trademarks of Metrologic Instruments, Inc. or Honeywell International Inc.

Microsoft, Windows, and Windows 95 are trademarks or registered trademarks of Microsoft Corporation.

IBM is a trademark of International Business Machines Corporation.

Other product names mentioned in this manual may be trademarks or registered trademarks of their respective companies and are the property of their respective owners.

## **Patents**

Please refer to page 61 for a list of patents.

---

# Table of Contents

## **Introduction**

Manual Scope .....	1
Product Overview.....	1
Base Kit Components .....	2
Optional Accessories .....	2
Replacement Parts .....	3
General Precautions .....	4

## **MS2421/MS2422 Scanner Design Specifications**

Operational .....	5
Mechanical.....	5
Electrical .....	6
Environmental.....	6

## **Base Model Characteristics**

MS2421/MS2431 Components.....	7
MS2421 Scanner Dimensions .....	8
MS2431 Scanner Dimensions .....	8
MS2421/MS2431 Connector Panel .....	9
MS2421/MS2431 Caution and Serial Number Labels .....	10
MS2422 Components .....	11
MS2422 Dimensions.....	12
MS2422 Connector Panel.....	12
MS2422 Caution and Serial Number Labels.....	13

## **Installation**

Quick Installation Outline .....	15
Site Requirements .....	15
Vertical Clearance.....	15
Ventilation and Spacing .....	15
Service Access.....	15
Power Installation.....	16
Checkout Counter Layout Consideration .....	16
Unpacking the Unit.....	17
Installing the Unit in the Counter.....	18
MS2421 Mounting Diagram .....	18
MS2422 Mounting Diagram .....	19
MS2431 Mounting Diagram (Two Point Support) .....	20
MS2431 Mounting Diagram (Three Point Support).....	21
Cable Installation (Interface Specific) .....	22
RS232 .....	22
Full Speed USB.....	24
IBM OEM.....	24
USB Serial Emulation Mode.....	25
Keyboard Emulation Mode.....	25
RS485 .....	26
Cable Installation (Secondary Honeywell Scanner).....	28
EAS Deactivation .....	30

---

## **Scanner Operation**

Scan Zone .....	31
Wake Activation Area (Photocell LED Output).....	33
Changing the Wake Area Sensitivity Level .....	34
Audible Indicators .....	35
Visual Indicators .....	36
Failure Modes .....	37
Diagnostic Indicator Display; Error Codes .....	38
Power Save Modes.....	41
Beeper Options and Button Functions .....	42
Beeper Tone and Volume Control .....	42
The Multi-Function Button.....	42
Startup .....	43
Power-Up Test Mode .....	43
Configuration Mode .....	43

## **Maintenance**

Horizontal Scan Window Replacement.....	45
Daily Maintenance .....	46

## **Troubleshooting**

Troubleshooting Symptom / Solution Chart .....	47
--	----

## **Scanner and Cable Terminations**

Scanner Pinout Connections .....	51
Cable Connector Configurations.....	53

## **Regulatory Compliance**

Safety.....	55
EMC .....	56

## **Limited Warranty .....**

## **Patents.....**

## **Index .....**

## **Customer Support .....**

Technical Assistance .....	65
Product Service and Repair .....	66

# Introduction

## Manual Scope

This guide provides information on the installation, setup and operation of the MS2421, MS2422, and MS2431 scanner only models. If the MS2421 or MS2431 scanner has been integrated with a scale, please refer to the Scale Addendum for detailed instructions on the appropriate cable connections, communication specifications and calibration procedures required by the scale manufacturer and local Weights and Measures Authorities.

Product manuals are also available for download in Adobe® Acrobat® file format at [www.honeywellaidc.com](http://www.honeywellaidc.com).

## Product Overview

MS2421, MS2422, and MS2431 scanner models are designed to meet the demanding needs of high volume supermarket and point-of-sale applications. With advanced features like 5-sided, 360° scanning, 5400 scans per second, a complex scan zone and advanced decoding software, this high performance series of in-counter scanner/scale ready products guarantees fast customer checkouts with minimal operator fatigue and stress. The MS2421, MS2422, and MS2431 scanners are equipped with a multitude of standard features including:

- Stratos**SCAN**™ – 5-sided, 360° scanning that minimizes product orientation
- Stratos**SPHERE**™ – Decoding software that reads poor quality and damaged bar codes
- Stratos**SYNC**™ – Horizontal and vertical scanning zones operate independently from one another
- GS1 DataBar Decoding – Decodes GS1 DataBar, GS1 DataBar Limited, and GS1 DataBar Expanded symbologies
- Flash ROM – Upgrade latest software enhancements on site
- Powered Aux Port – Connect hand-held scanner for large or bulky items
- Scale Ready Model – The MS2421/MS2431 model is designed for custom scale integration
- Loud Speaker – 3 volume/7 tone settings can be heard in all environments
- Easy Configuration – Windows® based utility or simple bar code setup
- Fully Automatic – “No touch” wake up from power save modes
- EAS Deactivation – Electronic Article Surveillance (EAS) included
- Field Replaceable Vertical Window – Quickly remove vertical window for cleaning or replacement
- Stratos**SCOPE**™ – Visual diagnostic indicator for easy to read feedback on scanner condition
- Stratos**SWAP**™ – Modular optics engine technology – small, pre-aligned, field replaceable modules
- Stratos**SCHOOL**™ – Operator training software

## Base Kit Components

Part #	Description		
MS24xy-105Nz	Bar Code Scanner		
	x	2	MS2420
		3	MS2430; 508 mm (20.0")
	y	1	Scanner Only, Scale Ready – Compact
		2	Scanner Only – Sub-Compact
	z	D	Diamonex Horizontal Window
		S	Sapphire Horizontal Window
00-02407	MetroSelect® Configuration Guide		
00-02034	MS2xxx Stratos Series Configuration Addendum		
00-05311	MS2421 / MS2422 / MS2431 Bar Code Scanner Installation and User's Guide		

Guides also available for download at [www.honeywellaidc.com](http://www.honeywellaidc.com).

Other items may be ordered for the specific protocol being used. To order additional items, contact the dealer, distributor or call the customer service department.

## Optional Accessories


Part #	Description
57-57210x-N-3	RS232 Interface Cable, Straight Cord with Short Strain Relief
57-57212x-N-3	RS485 <sup>◇</sup> Port 9 Cable, Straight Cord
57-57201x-N-3	USB Full Speed Communication Cable, Straight Cord, Type A (Non-Locking) Connector
57-57227x-N-3	USB Full Speed Communication Cable, Straight Cord, Locking 12V Plus-Power™ Type A
57-57008x-N-3	Aux Program Cable, Straight Cord with Short Strain Relief
57-57099x-3	LSO RS232 PowerLink AUX Cable with built in power jack, Straight Cord
52-52511x	EAS cable, 24"
52-52556x	EAS cable, 6'

<sup>◇</sup> Applicable for IBM® Host applications.

## Optional Accessories

Part #	Description
	AC to DC Power Transformer - Regulated Output: +5.2V @ 2.5A +12V @ 0.8A
46-00980-R	120V United States and Canada
46-00981-R	220V – 240V Continental European
46-00982-R	220V – 240V United Kingdom
46-00985-R	220V – 240V United Kingdom with 3 Amps fuse
46-00983-R	220V – 240V China
46-00984-R	220V – 240V Australia

## Replacement Parts

Part #	Description
 Caution	Window types (Diamonex and Sapphire) are not interchangeable due to laser safety and/or scanner performance differences.  To change window type, the scanner must be returned to the manufacturer for reconfiguration.
46-00233	Diamonex Platter – Compact
46-00296	Diamonex Platter – Compact with Platter Lift Handle
46-00234	Diamonex Platter – Sub-Compact Size
46-01087	Diamonex Platter – 508 mm
46-00235	Sapphire Platter – Compact
46-00297	Sapphire Platter – Compact with Platter Lift Handle
46-00236	Sapphire Platter – Sub-Compact Size
46-01086	Sapphire Platter – 508 mm

*Other items may be ordered for the specific protocol being used. To order additional items, contact the dealer, distributor or call the customer service department.*

---

## General Precautions

The following are some general precautions to remember when handling the MS2421/MS2422/MS2431 scanner.

**Do not turn** the unit upside down with the platter in place.

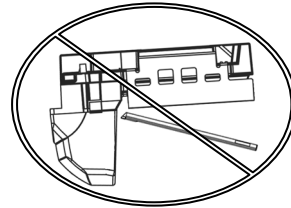


Figure 1

**Do not press** on the window in the platter or the vertical window frame.

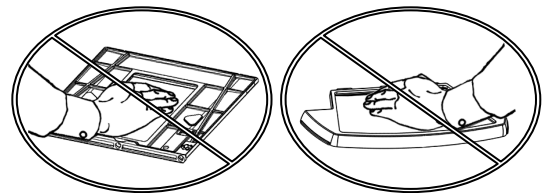


Figure 2

### Platter Removal

No hardware or tools are required to remove the platter (see Figure 3). Refer to the Maintenance section of this manual for additional information on platter replacement.

*Note: See caution statement on page 3.*

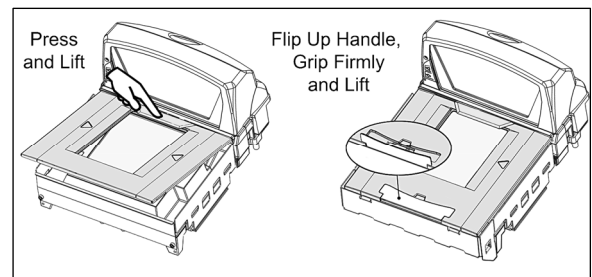


Figure 3

### Finger Recesses

There are two finger recess areas provided to assist when lifting the scanner. Rest both thumbs against the vertical window frame for added stability when lifting the unit by the finger recesses.

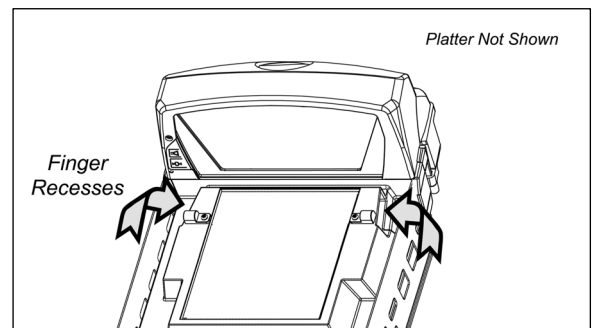


Figure 4



# Design Specifications

## Operational

Light Source:	VLD 650 nm	
Peak Laser Power:	<1.5 mW	
Horizontal Depth of Field:	0 mm - 100 mm (0" - 4") for 0.33 mm (13 mil) Bar Code	
Vertical Depth of Field:	0 mm - 216 mm (0" - 8.5") for 0.33 mm (13 mil) Bar Code	
Scan Speed:	5400 Scan Lines per Second	
No. of Scan Lines:	54 (38 Horizontal / 16 Vertical)	
Motor Speed:	6000 / 6000 RPM (Horizontal / Vertical)	
Min Bar Width:	0.114 mm (4.5 mil)	
Scan Zone:	360°	
Decode Capability:	All Standard 1-D Bar Codes, GS1 DataBar, GS1 DataBar - Expanded, and GS1 DataBar Limited Bar Codes	
System Interfaces:	RS232, Aux RS232, RS485, and USB	
Print Contrast:	35% Minimum Reflectance Difference	
No. Characters Read:	Up to 80 data characters. Maximum number will vary based on symbology and density.	
Beeper Operation:	7 Tones or No Beep; 3 Volume Settings	
Indicators (LED):	Blue	Laser ON, Ready to Scan
	Blue Flash	Good Read, Decoding

## Mechanical

	Length	Width	Tower Height
MS2421 L x W x H:	399 mm (15.7")	292 mm (11.5")	130 mm (5.12")
MS2422 L x W x H:	353 mm (13.9")	292 mm (11.5")	130 mm (5.12")
MS2431 L x W x H:	508 mm (20.0")	292 mm (11.5")	130 mm (5.12")
Depth (Below Counter):	100 mm (3.9"), All Models		
Weight (with Platter):	MS2421:	7.20 kg (16 lbs.)	
	MS2422:	6.80 kg (15 lbs.)	
	MS2431:	8.20 kg (18 lbs.)	

Specifications are subject to change without notice.

---

## Electrical

Voltage Supply:	2.5A @ +5V / 0.8A @ +12V	
Power:	Operating:	11.9 Watts
	Standby:	3.25 Watts
Current:	Operating:	1.7A @ 5.2V / 0.2A @ 12V
	Standby:	0.6A @ 5.2V / 0.07A @ 12V
Current Limits on Integrated Scale and/or Scale Display:	Do not exceed maximum current of 12V @ 0.7A / 5V @ 0.2A	
DC Transformers:	Class I; 5.2VDC @ 2.5A; 12VDC @ 0.8A	
<i>For Regulatory Compliance Information, refer to pages 55 - 57.</i>		

## Environmental

Operating Temperature:	0°C to 40°C (32°F to 104°F)
IP Rating:	IP 55
Light Levels:	4842 Lux (450 footcandles)
Storage Temperature:	-40°C to 60°C (-40°F to 140°F)
Humidity:	5% to 95% Relative Humidity, Non-Condensing
Contaminants:	Sealed to resist airborne particulate contaminants.
Ventilation:	None Required

*Specifications are subject to change without notice.*

# Base Model Characteristics

## MS2421/MS2431 Components

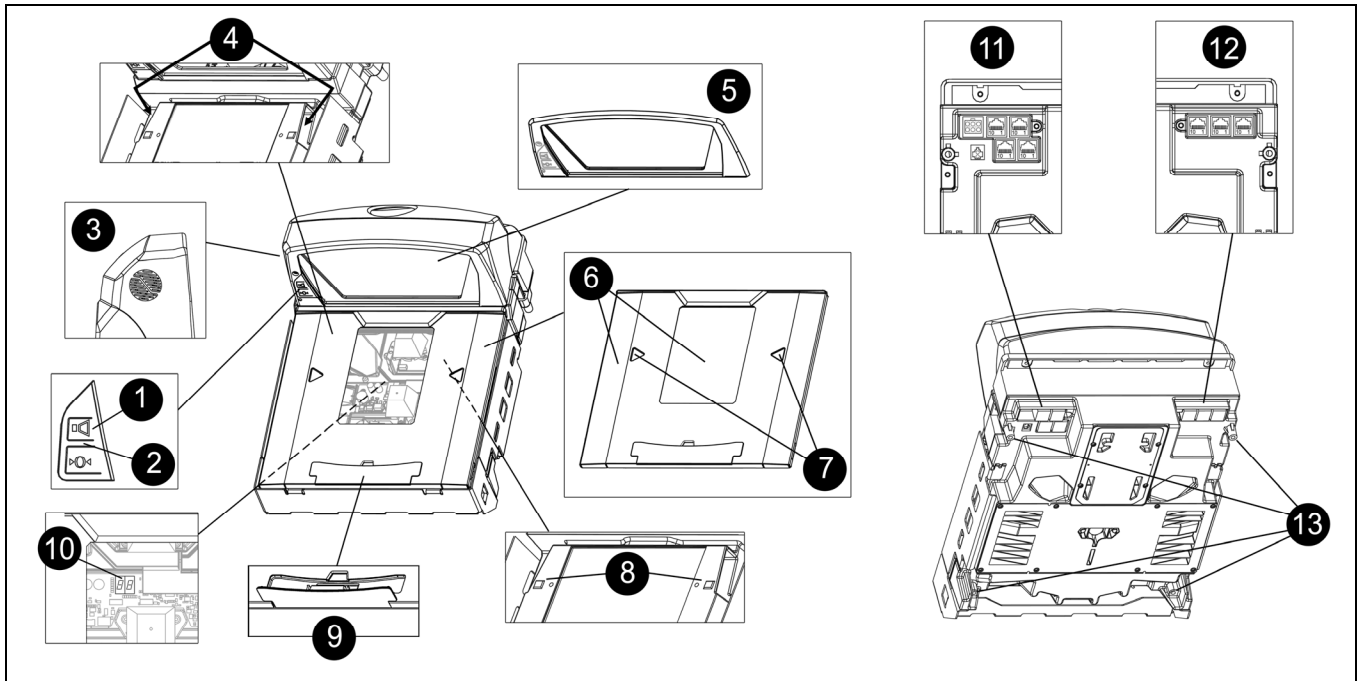


Figure 5. MS2421/MS2431 Components (MS2421 Shown.)

Item No.	Description of Item
1	Volume/Tone Multi-Function Button (see page 42)
2	Blue LED Indicators (see page 35)
3	Speaker
4	Finger Recesses for Lifting
5	High Impact Window Frame / Vertical Window (Laser Aperture)
6	Replaceable Stainless Steel Platter with Diamonex or Sapphire Horizontal Window (Laser Aperture)
7	Flow Direction Indicators
8	Platter Support Bumpers (see page 45)
9	Optional Product Weight Flip Up Bar / Platter Lift Handle (Option provided with scale ready MS2421-105x or MS2431-105x models only.)
10	Diagnostic Indicator Display (see page 38 for Error Codes)
11	DC Power, Scale, and EAS Connectors (see page 9)
12	System Interface Connection Area (see page 9)
13	Optional Leveling Feet (Option provided with scale ready MS2421-105x/MS2431-105x models only.)

Note: Scanner label information can be found on page 10.

## MS2421 Scanner Dimensions

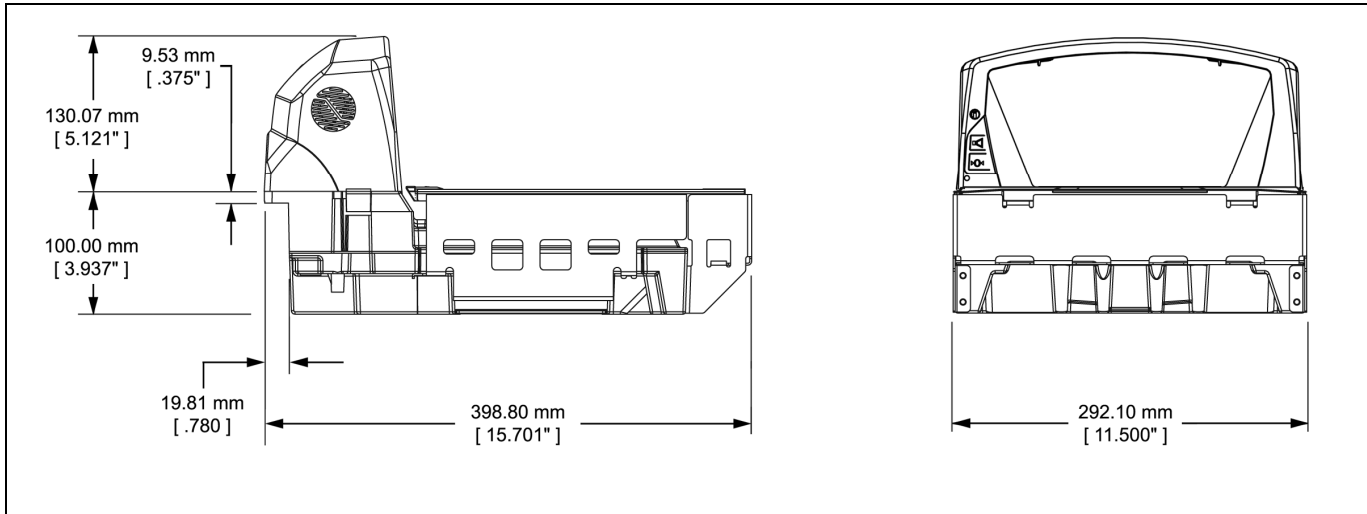


Figure 6. MS2421 Dimensions

## MS2431 Scanner Dimensions

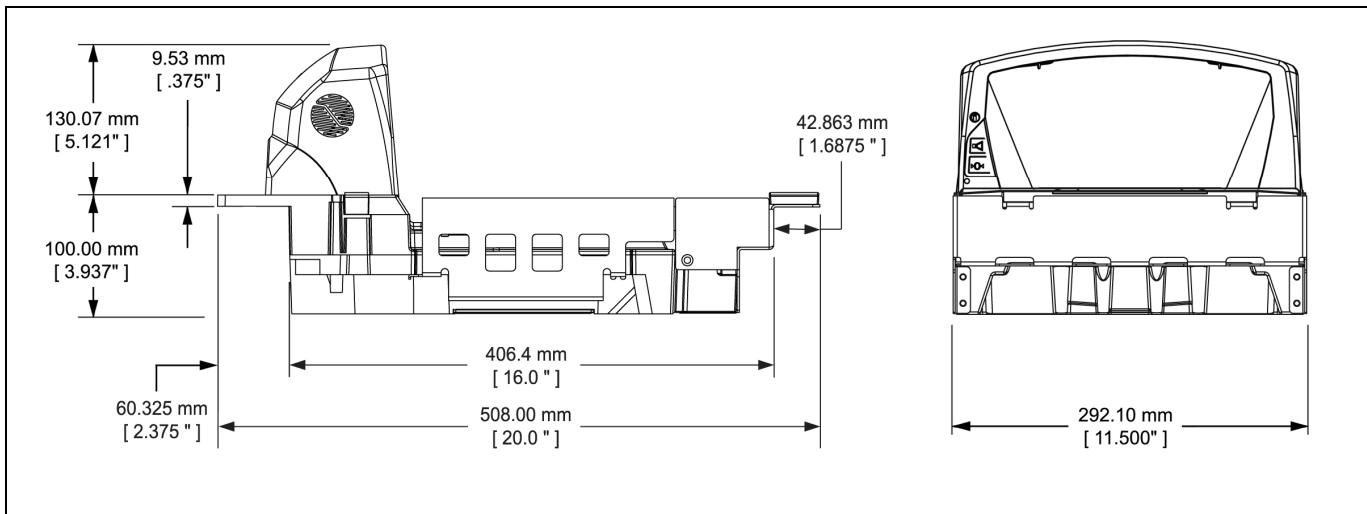


Figure 7. MS2431 Dimensions

## MS2421/MS2431 Connector Panel

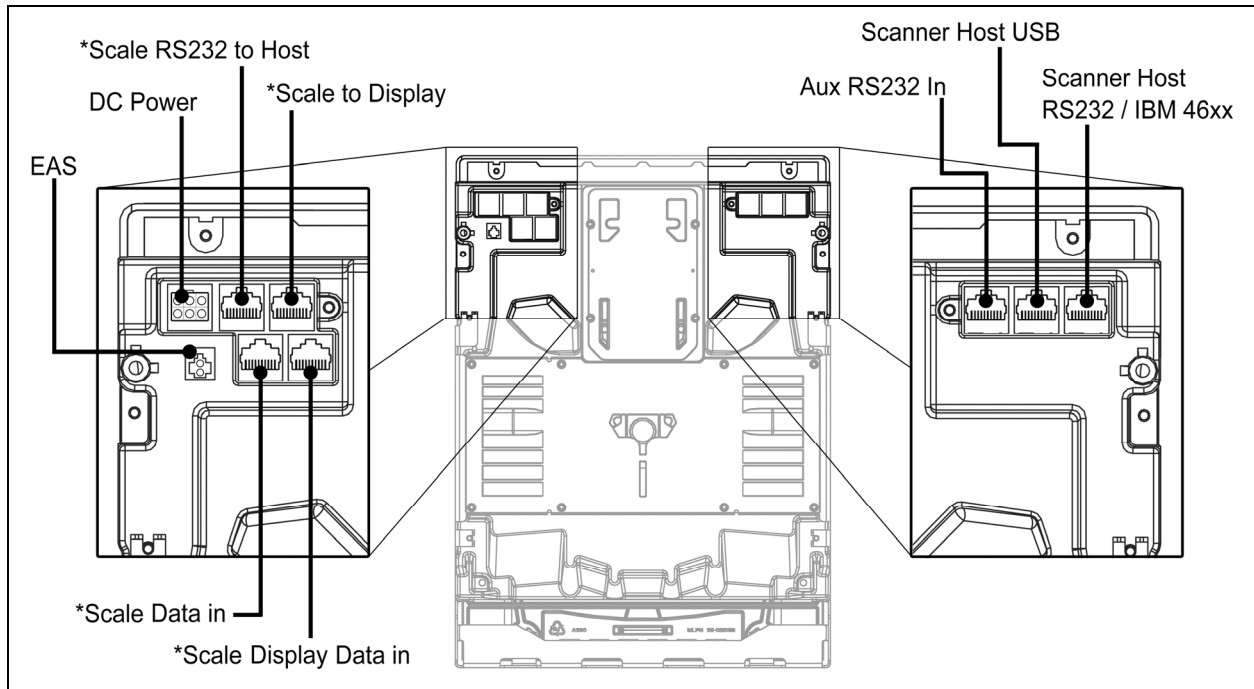


Figure 8. MS2421/MS2431 Connector Panel

\* Scale ready MS2421/MS2431 models supply additional connectors for scale and display communication cabling. The use of these connections is dependent on the specific manufacturer of the scale being integrated. Please refer to the custom Scale Installation Guide for detailed instructions on the appropriate cable hookups and calibration procedures for local Weights and Measures authorities.

Specifications are subject to change without notice.

# MS2421/MS2431 Caution and Serial Number Labels

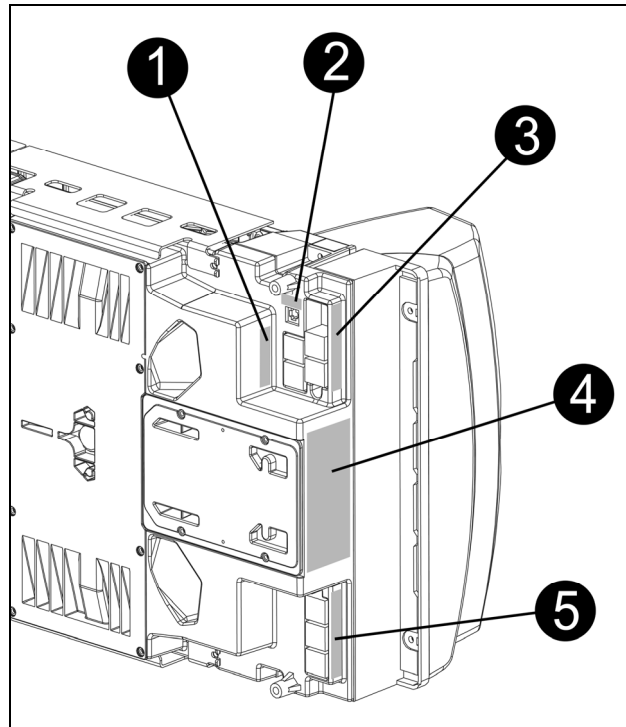















Figure 9. MS2421/MS2431 Label Locations (Top) and Examples (Bottom)

<b>1</b>	<table border="1"> <tr> <td><b>Scale</b> Data In</td> <td><b>Scale Display</b> Data In</td> </tr> </table>	<b>Scale</b> Data In	<b>Scale Display</b> Data In	<b>2</b>	<table border="1"> <tr> <td><b>EAS In</b></td> </tr> </table>	<b>EAS In</b>									
<b>Scale</b> Data In	<b>Scale Display</b> Data In														
<b>EAS In</b>															
<b>3</b>	<table border="1"> <tr> <td><b>DC</b> Power In</td> <td><b>Scale</b> RS485 to Display</td> <td><b>Scale</b> RS232 to Host</td> </tr> </table>	<b>DC</b> Power In	<b>Scale</b> RS485 to Display	<b>Scale</b> RS232 to Host											
<b>DC</b> Power In	<b>Scale</b> RS485 to Display	<b>Scale</b> RS232 to Host													
<b>4</b>	<table border="1"> <tr> <td colspan="2"> <b>Honeywell International Inc.</b>                  Manufactured by Metro (Suzhou) Technologies Co. Ltd.                  Contains no user-serviceable components. Warranty void if case is opened. Complies with FCC and ICES-003 Class B. See manual.                  Made in Suzhou China August 2009 (C)                  Model: MS2421-105D 232, 46XX, USB                  Stratos™ Barcode Scanner                  0X 09 32 0181                    See User's Guide for patent coverage.             </td> <td colspan="2">                 This product complies with 21 CFR 1040.10 and 1040.11 except for deviations pursuant to Laser Notice No. 50 dated July 26, 2001.             </td> </tr> <tr> <td colspan="2"></td> <td colspan="2">                 15                    5V, 12V ---                  CAUTION:                  Laser light when opened.                  DO NOT STARE INTO BEAM.             </td> </tr> <tr> <td colspan="2"></td> <td colspan="2">                   LISTED                  94J8                  I.T.E.   </td> </tr> </table>			<b>Honeywell International Inc.</b> Manufactured by Metro (Suzhou) Technologies Co. Ltd. Contains no user-serviceable components. Warranty void if case is opened. Complies with FCC and ICES-003 Class B. See manual. Made in Suzhou China August 2009 (C) Model: MS2421-105D 232, 46XX, USB Stratos™ Barcode Scanner 0X 09 32 0181  See User's Guide for patent coverage.		This product complies with 21 CFR 1040.10 and 1040.11 except for deviations pursuant to Laser Notice No. 50 dated July 26, 2001.				15  5V, 12V --- CAUTION: Laser light when opened. DO NOT STARE INTO BEAM.				 LISTED 94J8 I.T.E. 	
<b>Honeywell International Inc.</b> Manufactured by Metro (Suzhou) Technologies Co. Ltd. Contains no user-serviceable components. Warranty void if case is opened. Complies with FCC and ICES-003 Class B. See manual. Made in Suzhou China August 2009 (C) Model: MS2421-105D 232, 46XX, USB Stratos™ Barcode Scanner 0X 09 32 0181  See User's Guide for patent coverage.		This product complies with 21 CFR 1040.10 and 1040.11 except for deviations pursuant to Laser Notice No. 50 dated July 26, 2001.													
		15  5V, 12V --- CAUTION: Laser light when opened. DO NOT STARE INTO BEAM.													
		 LISTED 94J8 I.T.E. 													
<b>5</b>	<table border="1"> <tr> <td><b>Aux</b> RS232 In</td> <td><b>Scanner Host</b> USB</td> <td><b>Scanner Host</b> RS232, 46xx</td> </tr> </table>	<b>Aux</b> RS232 In	<b>Scanner Host</b> USB	<b>Scanner Host</b> RS232, 46xx											
<b>Aux</b> RS232 In	<b>Scanner Host</b> USB	<b>Scanner Host</b> RS232, 46xx													

**Caution:**  To maintain compliance with applicable standards, all circuits connected to the imager must meet the requirements for SELV (Safety Extra Low Voltage) according to EN/IEC 60950-1. To maintain compliance with standard CSA C22.2 No. 60950-1/UL 60950-1 and norm EN/IEC 60950-1, the power source should meet applicable performance requirements for a limited power source.

## MS2422 Components

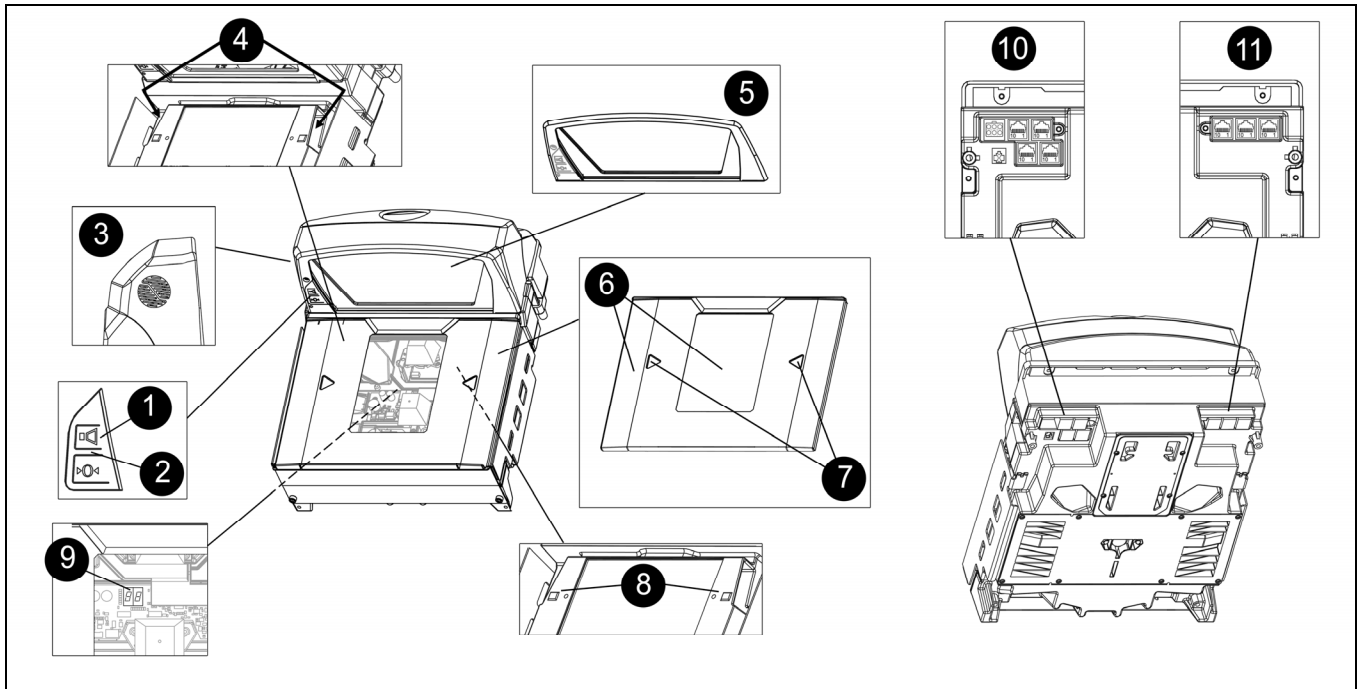
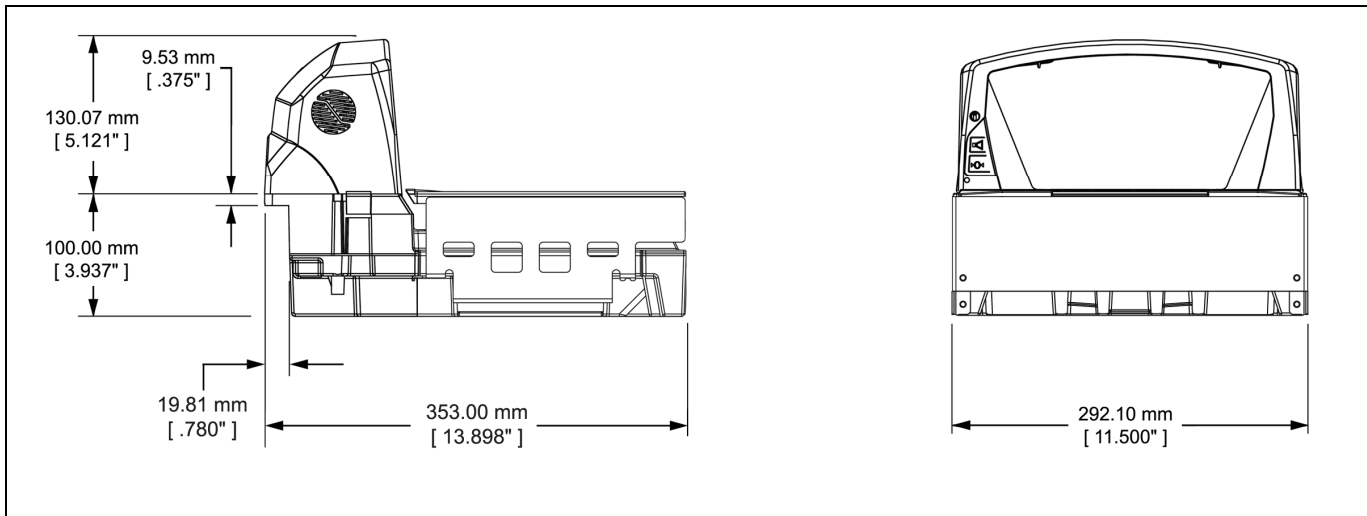


Figure 10. MS2422 Components

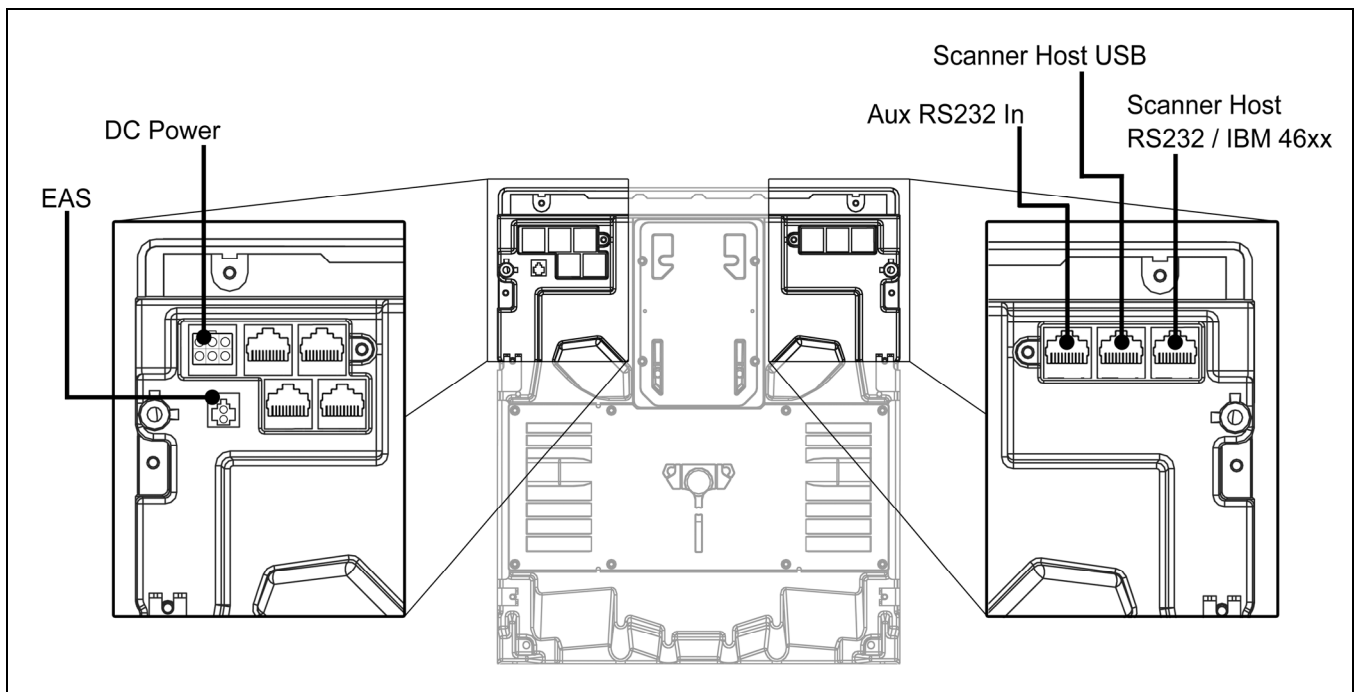
Item No.	Description of Item
1	Volume/Tone Multi-Function Button (see page 42)
2	Blue LED Indicators (see page 35)
3	Speaker (see page 35)
4	Finger Recesses for Lifting (Located Under Platter)
5	High Impact Window Frame / Vertical Window (Laser Aperture)
6	Replaceable Stainless Steel Platter with Diamonex or Sapphire Horizontal Window (Laser Aperture)
7	Flow Direction Indicator
8	Platter Support Bumpers (see page 45)
9	Diagnostic Indicator Display (see page 38)
10	DC Power, Scale, and EAS Connectors (see page 12)
11	System Interface Connection Area (see page 12)

Note: Scanner label information can be found on page 13.

## MS2422 Dimensions



## MS2422 Connector Panel



Specifications are subject to change without notice.



## MS2422 Caution and Serial Number Labels

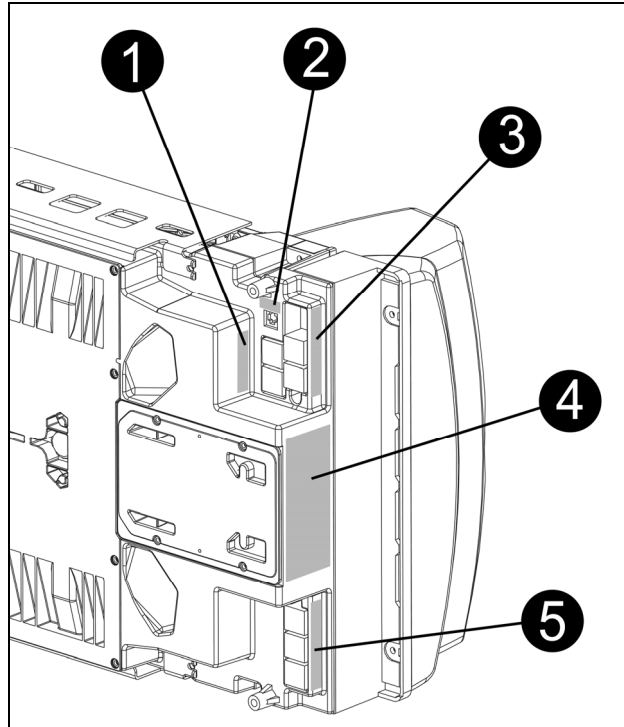






Figure 13. MS2422 Label Locations (Top) and Examples (Bottom)

<b>1</b>	N/C	N/C	<b>2</b>	EAS In
<b>3</b>	DC Power In	N/C	N/C	
<b>4</b>	<p><b>Honeywell International Inc.</b>          Manufactured by Metro (Suzhou) Technologies Co. Ltd.          Contains no user servicable components. Warranty void if case is opened. Complies with FCC and ICES-003 Class B. See manual.          Made in Suzhou China August 2009 (C)          Model: MS2422-105D 232, 46XX, USB          Stratos™ Barcode Scanner          0X 09 32 0181            See User's Guide for patent coverage.</p>			<p>This product complies with 21 CFR 1040.10 and 1040.11 except for deviations pursuant to Laser Notice No. 50 dated July 26, 2001.</p> <p>15</p> <p>5V, 12V </p> <p>CAUTION: Laser light when opened. DO NOT STARE INTO BEAM.</p> <p> <b>UL</b> <b>US</b> LISTED 94/8 I.T.E. </p>
<b>5</b>	Aux RS232 In	Scanner Host USB	Scanner Host RS232, 46xx	

**Caution:**



To maintain compliance with applicable standards, all circuits connected to the imager must meet the requirements for SELV (Safety Extra Low Voltage) according to EN/IEC 60950-1.

To maintain compliance with standard CSA C22.2 No. 60950-1/UL 60950-1 and norm EN/IEC 60950-1, the power source should meet applicable performance requirements for a limited power source.



# Installation

## **Quick Installation Outline**

The following is a quick preview of the steps required for first time installations. Each item is discussed in detail later in this section.

- Determine clearance, ventilation, and service access requirements.
- Determine checkout counter layout taking into account package flow, cable routing, and power requirements.
- Choose the mounting option which provides the best cable/power access and unit stability.
- Unpack the unit.
- Make the appropriate countertop cutouts and install all support brackets.
- Place the unit in the counter.
- Install the platter.
- Follow the steps under the correct interface to connect the cables and power supply.
- Configure the unit for the correct interface.

## **Site Requirements**

Before installing your MS2421/MS2422/MS2431 bar code scanner, please consider the following items.

### **Vertical Clearance**

A minimum clearance height of 5.25" from the checkout counter surface is needed for the vertical 'hood' on all of the scanner models.

### **Ventilation and Spacing**

The MS2421/MS2422/MS2431 models have a die-cast housing to dissipate heat allowing the unit to operate without a ventilation fan. The temperature surrounding the unit is recommended not to exceed 40°C (104°F). There should be adequate convection and minimal heat producing equipment in close proximity of the unit. A cooling fan with a filter is recommended if there will be a conveyor motor or other heat producing equipment close to the unit that will create a high temperature environment.

### **Service Access**

When routing and installing the cable(s) and power supply, make sure you leave access so that these components may be swapped easily without the need to remove the unit from the checkout counter.

When changing the StratosSWAP optics engine modules, removing the unit completely from the checkout counter is recommended.

---

## **Site Requirements**

### **Power Installation**

The Power Supply (AC/DC) should be connected to an AC Outlet that is free of electrical noise (clean). A qualified electrician can determine the amount of electrical noise on the AC line. See additional information on power installation and restrictions under the *Installation: Interface* section of this manual.

*Note: Using a switched AC outlet is recommended. The switch should be located on the operator's side of the checkout counter in close proximity to the scanner to facilitate service of the unit.*

### **Checkout Counter Layout Considerations**

When placing a scanner in a checkout counter, the following factors should be considered:

- Items should flow at a distance to the operator that maximizes comfort. The operator should not need to stretch or strain to reach for and scan packages.
- The MS2421/MS2422/MS2431 can scan a bar code on five sides of a package. The packages should flow into the scan area that provides the maximum reading performance. No lifting or orientation of the items is necessary. A properly placed item diverter can maximize the flow of packages.
- In what direction are the packages flowing? Most checkout counters are designed for left-handed takeaway. If the operator is facing the vertical window of the scanner, packages flow from the operator's right to left. The packages are in queue on the conveyor to the right and the bagging is to the left.

## Unpacking the Unit

1. Make sure the shipping box is topside up before opening.
2. Remove the accessories box and check the box's content for the following items.
  - Product Manuals
  - Power Supply
  - Communication Cables
  - Remote Scale Display (Optional)
3. Carefully remove the platter and store it in a safe location until the unit is properly installed into the checkout counter.

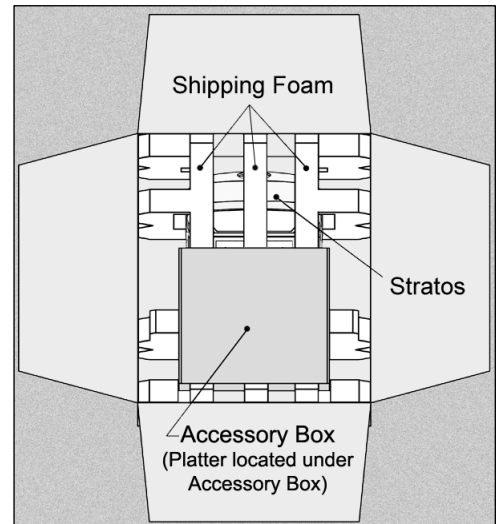


Figure 14

4. Lift the scanner out of the box by carefully grasping both sides near the center of the unit and lifting directly up. Refer to Figure 15 for hand placement.

**Important!** Do not remove the scanner from the box by grabbing the shipping foam. This can result in the unit falling!

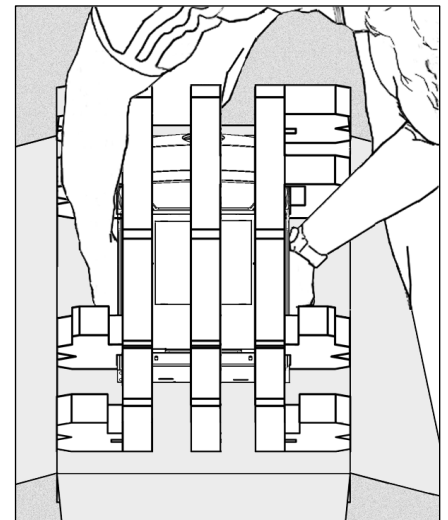


Figure 15

5. Carefully remove the shipping foam from around the scanner.

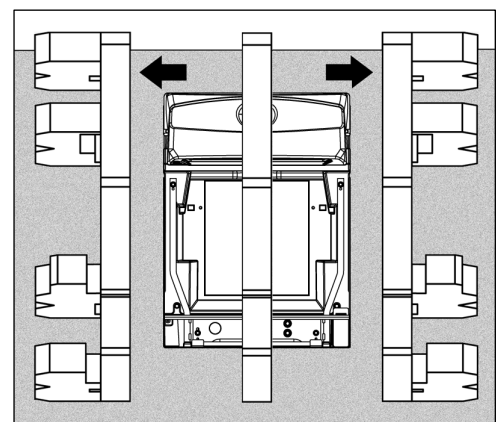


Figure 16

# Installing the Unit in the Counter

## MS2421 Mounting Diagram

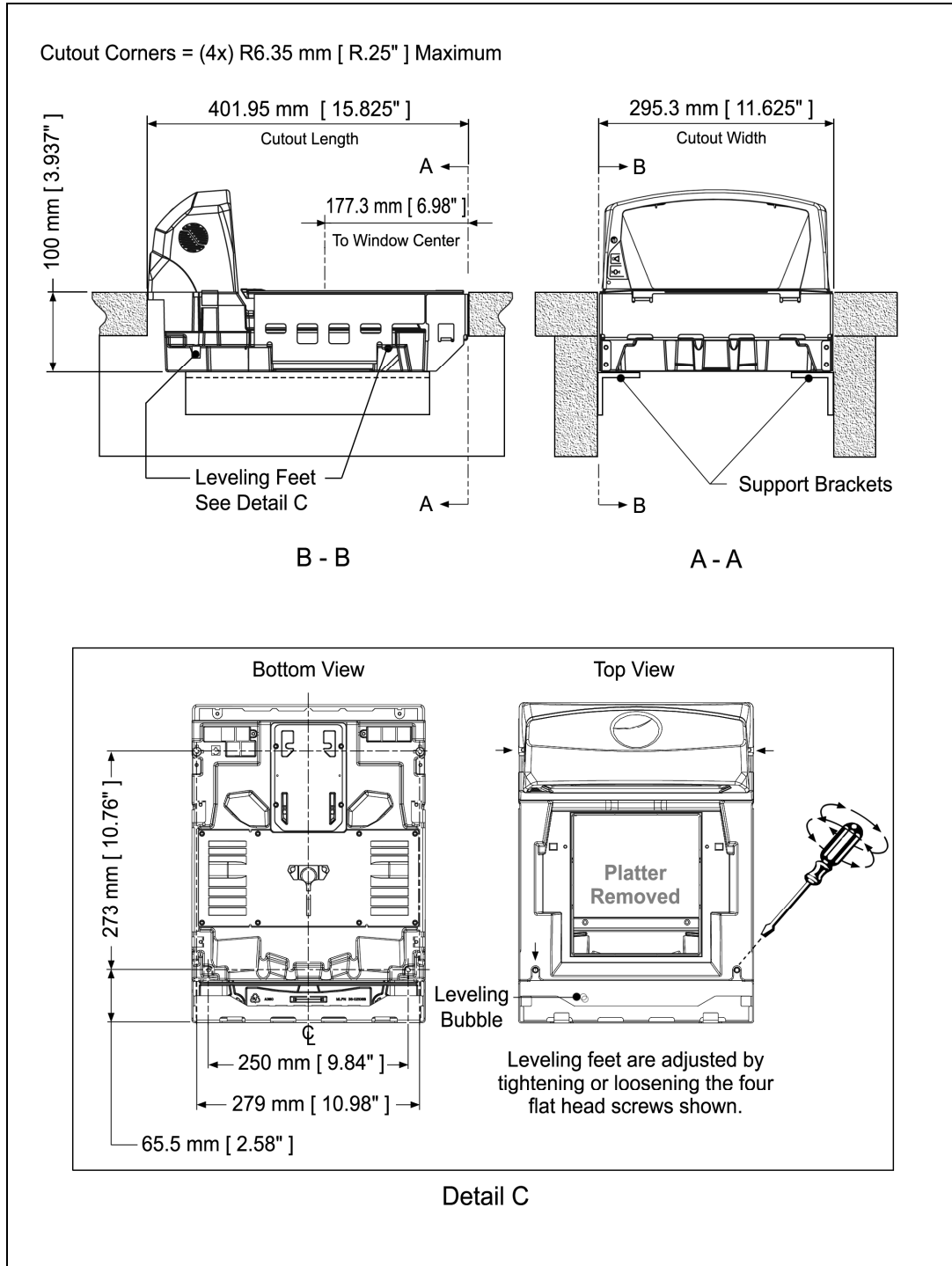


Figure 17. MS2421 Mounting Diagram

Specifications are subject to change without notice.

# Installing the Unit in the Counter

## MS2422 Mounting Diagram

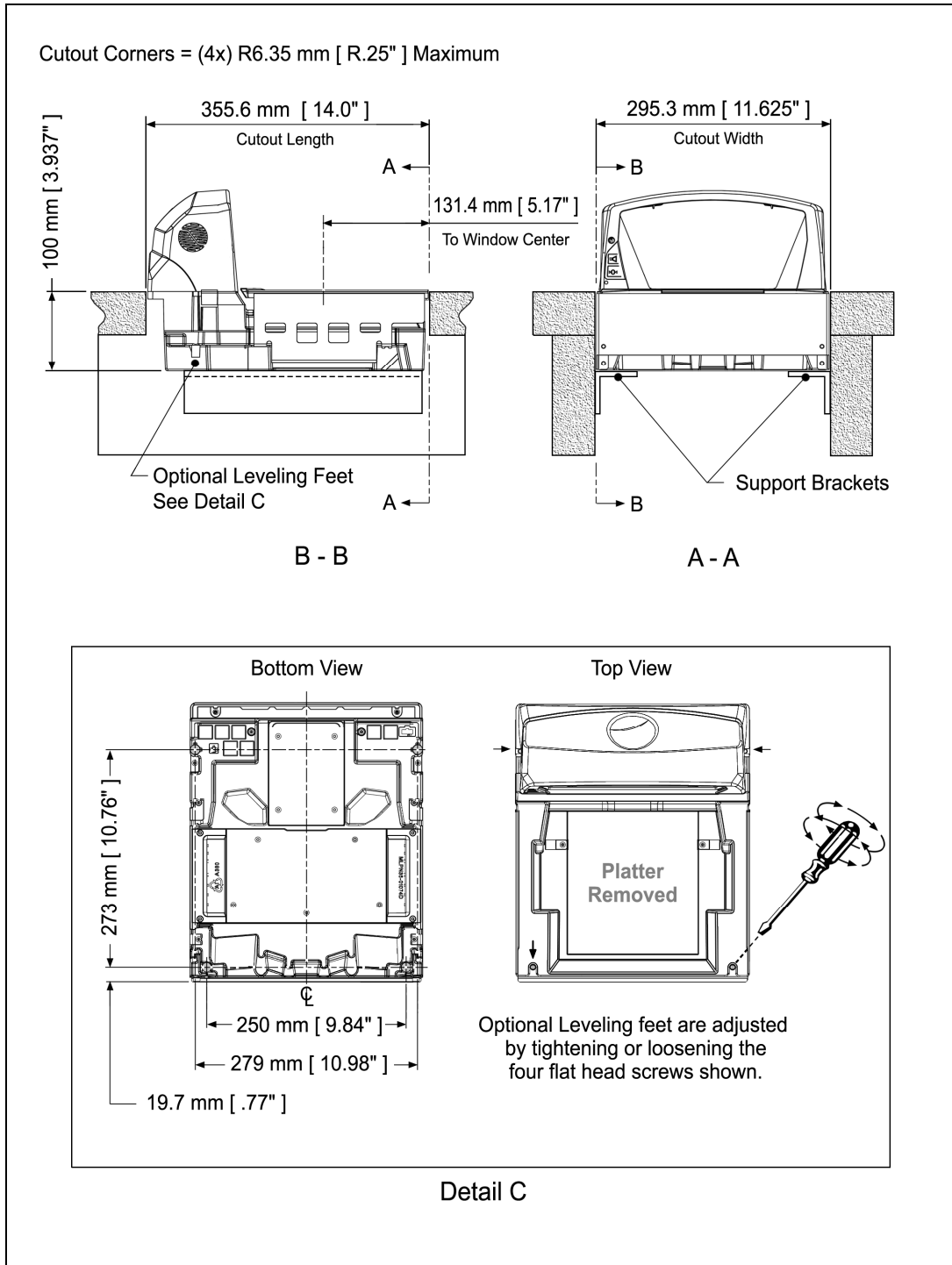


Figure 18. MS2422 Mounting Diagram

Specifications are subject to change without notice.

# Installing the Unit in the Counter

## MS2431 Mounting Diagram (Two Point Support)

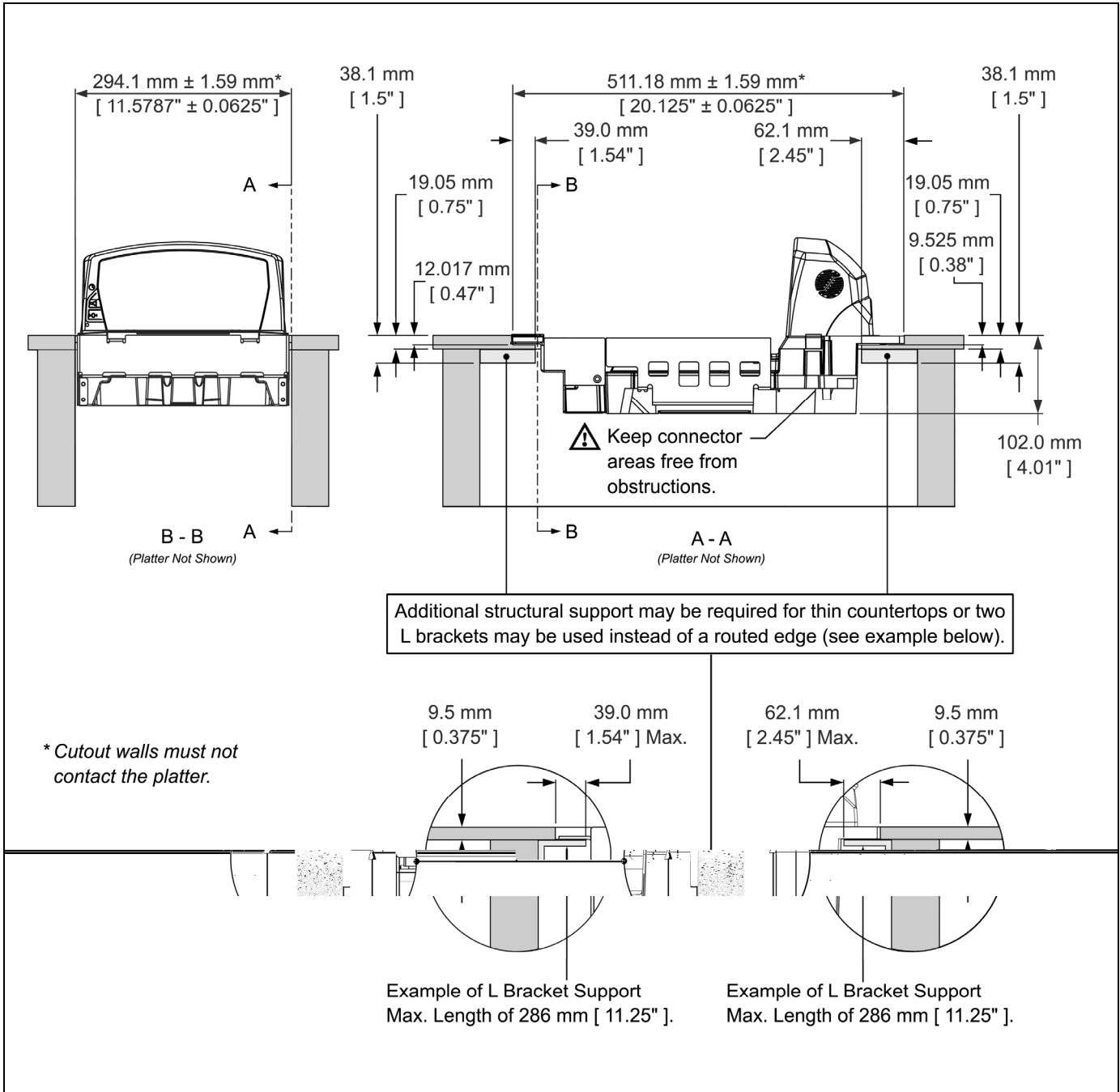


Figure 19. MS2431 Mounting Diagram, Two Point Support

Specifications are subject to change without notice.



# Installing the Unit in the Counter

## MS2431 Mounting Diagram (Three Point Support)

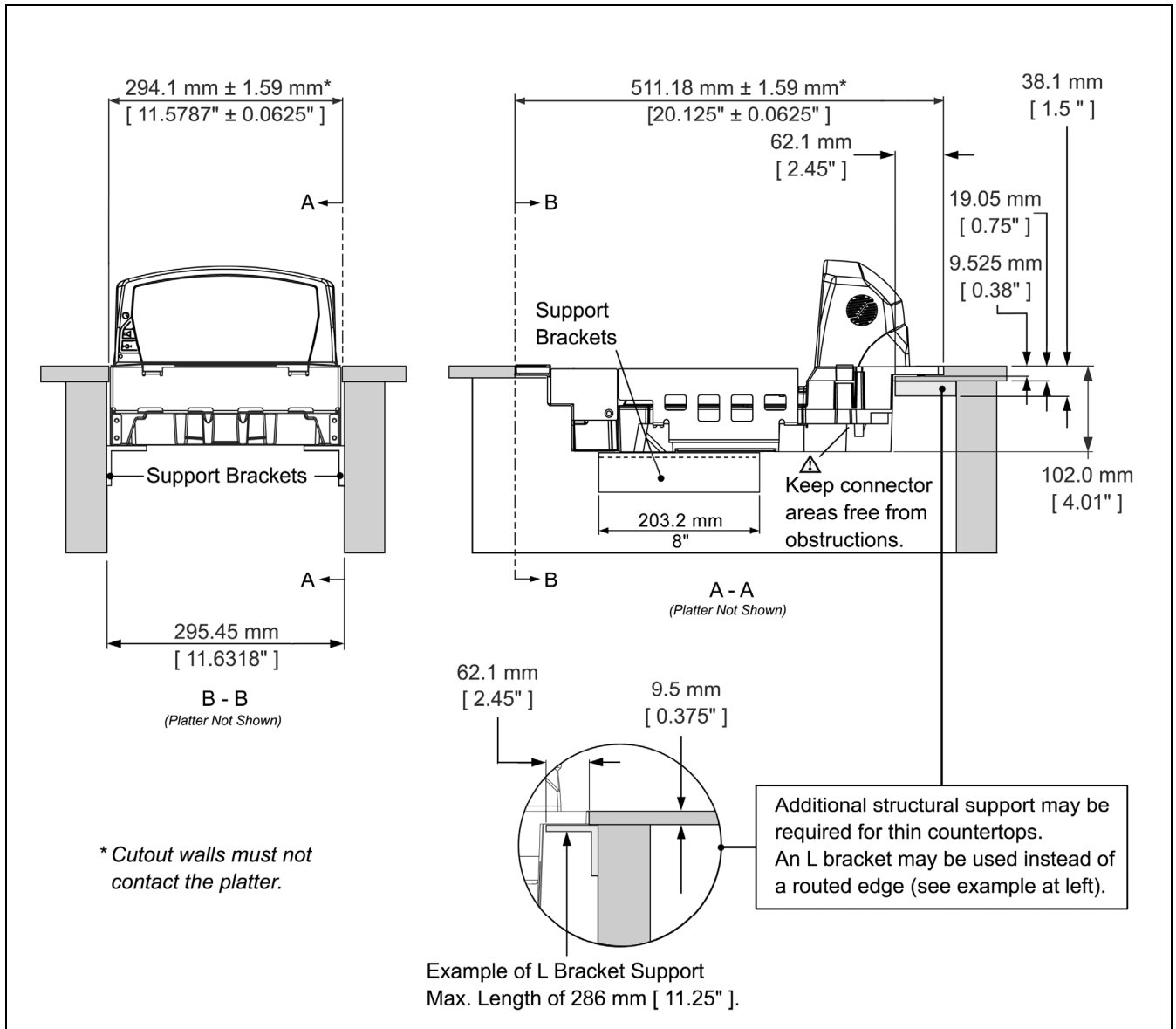


Figure 20. MS2431 Mounting Diagram, Three Point Support

Specifications are subject to change without notice.

---

## Cable Installation (Interface Specific)

### RS232

The following steps describe how to properly install the cables for an RS232 application. The scanner **must** then be configured to match the host's RS232 parameters. Cable installation alone **does not** guarantee that the scanner will communicate properly with the host system.

*Note: Configuration bar codes are located in the MetroSelect Configuration Guide (PN 00-02407x) and the MS2xxx Stratos Series Configuration Addendum (PN 00-02034x).*

1. Turn off the host system.
2. Plug the 10-pin RJ45 end of the RS232 interface cable (PN 57-57210x-N-3) into the 10-pin socket labeled 'Scanner Host RS232' on the bottom of the scanner. Refer to the figure on page 23.
3. Connect the other end of the RS232 cable to the proper communication port on the host device.  
**Stop:** *Before continuing, verify that the RS232 interface cable is connected to the appropriate interface socket on the scanner. An incorrect cable connection can cause communication problems or potential damage to the scanner and/or terminal.*
4. Plug the external power supply (PN 46-002xx) into the 3-pin Molex socket labeled 'DC Power In' on the bottom of the scanner.  
*Note: Check the AC input requirements of the power supply to make sure the voltage matches the AC outlet. The outlet should be located near the equipment and be easily accessible.*  
*Using a switched AC outlet is recommended. The switch should be located on the operator's side of the checkout counter in close proximity to the scanner to facilitate calibration and service of the unit.*
5. Connect AC power to the transformer. If the AC outlet is equipped with an on/off switch, turn the power on.
6. Turn on the host system.
7. Scan the Recall Defaults bar code.  
*Note: The Recall Defaults bar code is located in the MetroSelect Configuration Guide (PN 00-02407x), under Need to Start Over.*
8. Configure the scanner to match the host system's RS232 parameters.  
*Note: Refer to the MetroSelect Configuration Guide (PN 00-02407x) under Section G: RS232 for enabling RS232 Mode (scan the recall defaults bar code first).*

## Cable Installation (Interface Specific)

### RS232

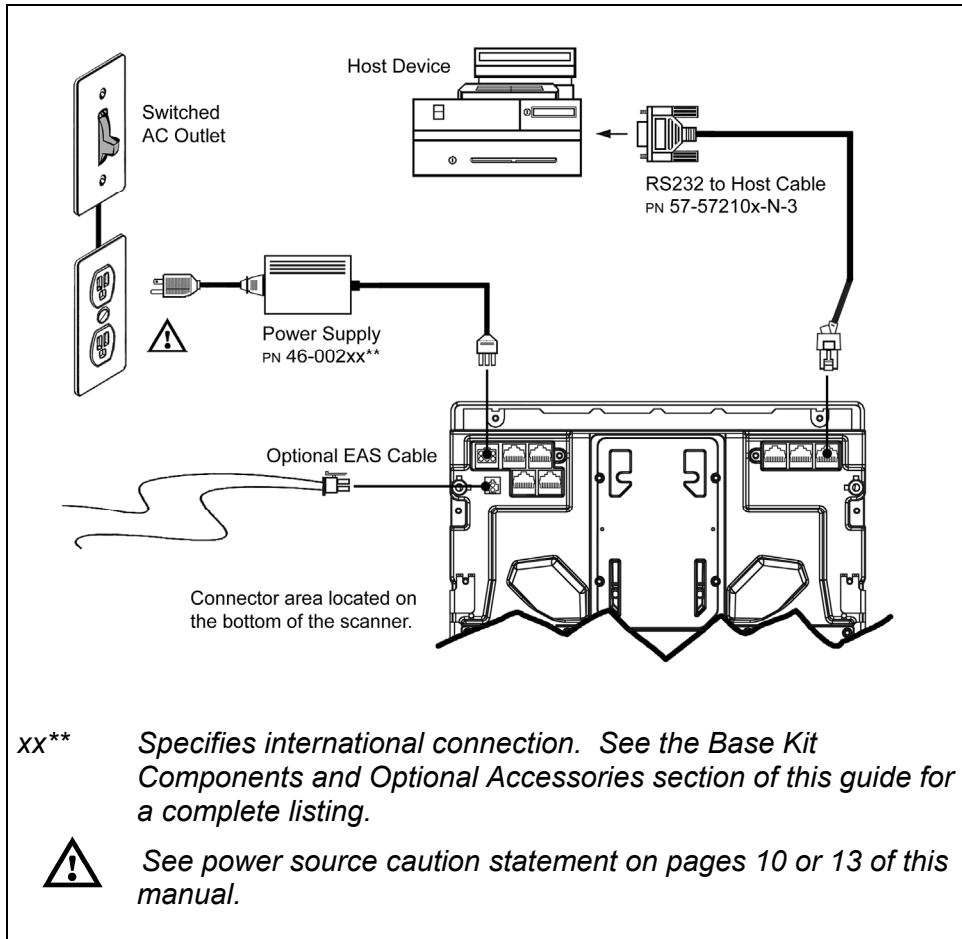


Figure 21. RS232 Interface Cable Installation Schematic

---

## Cable Installation (Interface Specific)

### Full Speed USB

The following steps describe how to properly install the cables for a Full Speed USB scanner application. The scanner **must** then be configured to match the host's USB parameters. Cable installation alone **does not** guarantee that the scanner will communicate properly with the host system.

*Note: Configuration bar codes are located in the MetroSelect Configuration Guide (PN 00-02407x) and the MS2xxx Stratos Series Configuration Addendum (PN 00-02034x).*

1. Turn off the host system.
2. Plug the 10-pin RJ45 end of the USB interface cable (PN 57-57201x-N-3 or 57-57227x-N-3) into the 10-pin socket labeled 'Scanner Host USB' on the bottom of the scanner. Refer to the figure on page 25.
3. Connect the other end of the USB interface cable to the appropriate USB port on the host device.  
**Stop:** *Before continuing, verify that the USB interface cable is connected to the appropriate socket on the scanner. An incorrect cable connection can cause communication problems or potential damage to the scanner and/or terminal.*  
*Note: Plugging the scanner into the USB port of the host does not guarantee that scanned information will appear at the host. A software driver and correct configuration setting are also required for proper communication to occur.*
4. Plug the external power supply (PN 46-002xx) into the 3-pin Molex socket labeled 'DC Power In' on the bottom of the scanner.  
*Note: Check the AC input requirements of the power supply to make sure the voltage matches the AC outlet. The outlet should be located near the equipment and be easily accessible.*  
*Using a switched AC outlet is recommended. The switch should be located on the operator's side of the checkout counter in close proximity to the scanner to facilitate calibration and service of the unit.*
5. Connect AC power to the transformer. If the AC outlet is equipped with an on/off switch, turn the power on.
6. Turn on the host system.
7. Configure the scanner to match the host system's USB parameters.  
*Note: The IBM OEM Full Speed USB Communication Defaults\*\* bar code is located in the MS2xxx Stratos Series Configuration Addendum (PN 00-02034x) under Scanner Configuration Bar Codes: Dual Cable Scanner Configuration Bar Codes, IBM OEM Full Speed USB Communication Defaults and IBM OEM Full Speed USB Protocols.*

**\*\* Applies only with MS2421/MS2431 non-scale scanner models. If a scale has been integrated into a scale ready MS2421/MS2431, the configuration bar code shown does not apply.**

## Cable Installation (Interface Specific)

### Full Speed USB

Step 8 is for **USB Serial Emulation Mode or Keyboard Emulation Mode only.**

- Configure the scanner for USB Serial Emulation Mode or USB Keyboard Emulation Mode by scanning the appropriate configuration bar codes in the USB section of the MetroSelect Configuration Guide (PN 00-02407x) under *Low Speed USB*. Any low speed USB warnings may be disregarded when utilizing these codes for a Full Speed USB scanner.

*Note: Step 7 must be completed before continuing to step 8 for these features to work properly.*

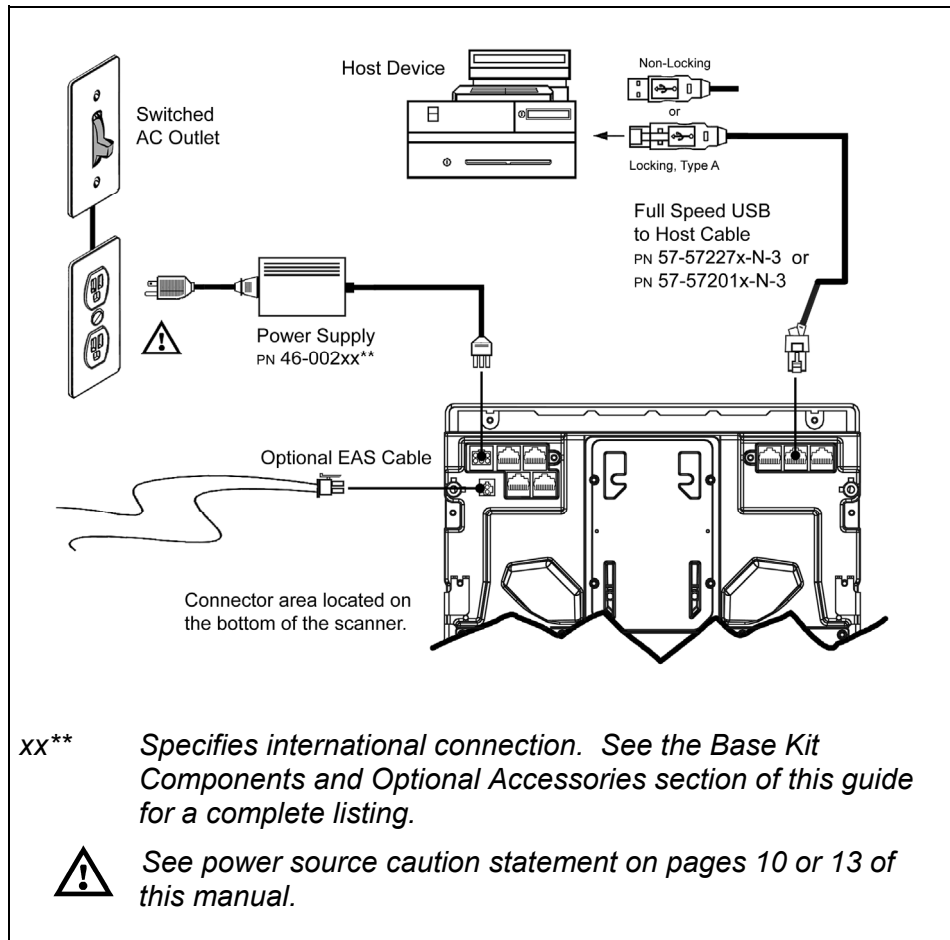


Figure 22. USB Cable Installation Schematic

---

## Cable Installation (Interface Specific)

### RS485

The following steps describe how to properly install the cables for an RS485 scanner application. The scanner **must** then be configured to match the host's RS485 parameters. Cable installation alone **does not** guarantee that the scanner will communicate properly with the host system.

*Note: Configuration bar codes are located in the MetroSelect Configuration Guide (PN 00-02407x) and the MS2xxx Stratos Series Configuration Addendum (PN 00-02034x).*

1. Turn off the host system.
2. Plug the 10-pin RJ45 end of the RS485 interface cable (PN 57-57212x-N-3) into the 10-pin socket labeled 'Scanner Host 46xx' on the bottom of the scanner. Refer to the figure on page 27.
3. Connect the other end of the RS485 cable to communication port 9 on the host device.

**Stop:** *Before continuing, verify that the RS485 cable is connected to the appropriate interface socket on the scanner. An incorrect cable connection can cause communication problems or potential damage to the scanner and/or terminal.*

*Note: Plugging the scanner into the serial port of the host device does not guarantee that scanned information will appear at the host device. A software driver and correct configuration settings are also required for proper communication to occur.*
4. Plug the external power supply (PN 46-002xx) into the 3-pin Molex socket labeled 'DC Power In' on the bottom of the scanner.

*Note: Check the AC input requirements of the power supply to make sure the voltage matches the AC outlet. The outlet should be located near the equipment and be easily accessible.*

*Using a switched AC outlet is recommended. The switch should be located on the operator's side of the checkout counter in close proximity to the scanner to facilitate calibration and service of the unit.*
5. Connect AC power to the transformer. If the AC outlet is equipped with an on/off switch, turn the power on.
6. Turn on the host system.
7. Configure the scanner to match the host system's RS485 parameters.

*Note: Refer to the MS2xxx Stratos Series Configuration Addendum (PN 00-02034x) under Scanner Configuration Bar Codes: IBM 3rd Generation Communication Defaults and IBM 3rd Generation Protocols.*

*Additional general configuration bar codes can be found in the MetroSelect Configuration Guide (PN 00-02407x).*

## Cable Installation (Interface Specific)

### RS485

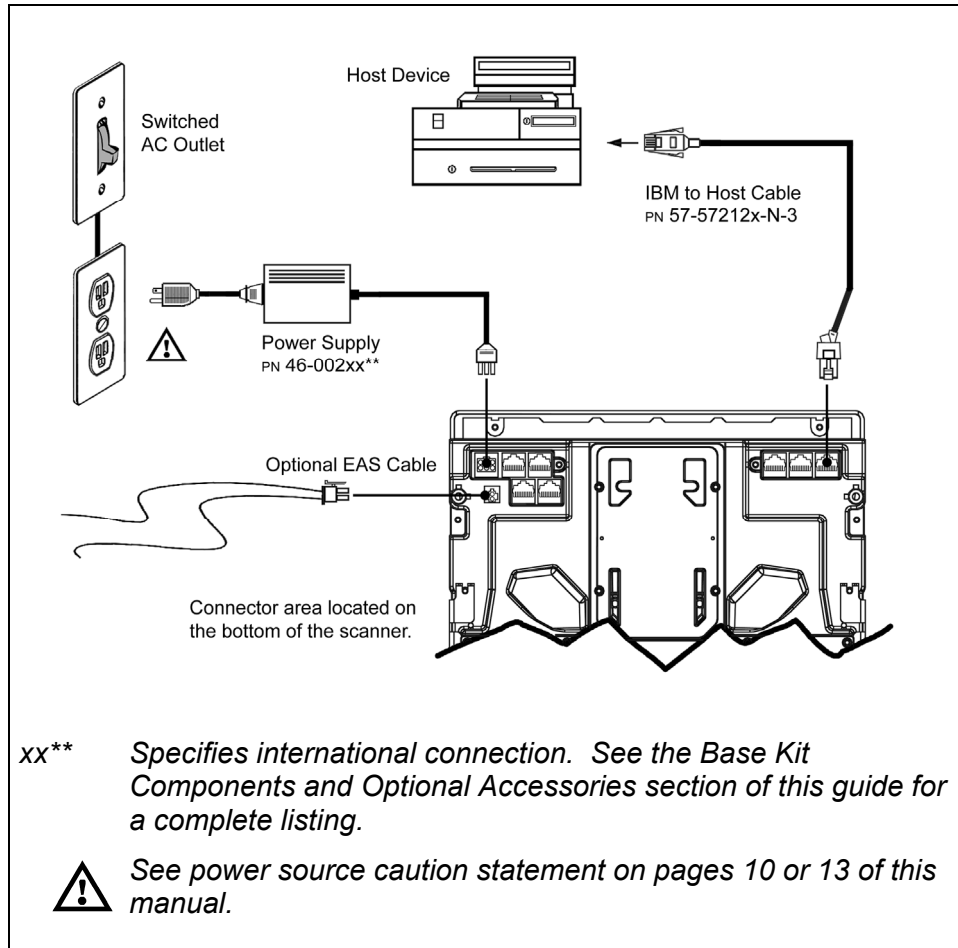


Figure 23. RS485 Cable Installation Schematic

---

## Cable Installation (Secondary Honeywell Scanner)

The following steps describe how to properly install the cables between a secondary Honeywell scanner and the MS2421/MS2422/MS2431 scanner. The MS2421/MS2422/MS2431 and the secondary scanner **must** then be configured to communicate properly. Cable installation alone **does not** guarantee that the MS2421/MS2422/MS2431 scanner will communicate properly with the host system and secondary scanner.

*Note: Contact a customer service representative before connecting another manufacturer's scanner to the MS2421/MS2422 as a secondary scanner.*

*Configuration bar codes are located in the MS2xxx Stratos Series Configuration Addendum (PN 00-02034x) under Scanner Configuration Bar Codes: Auxiliary Port, Quick Start for a Secondary Honeywell Scanner.*

1. Refer to pages 22 - 26 for the type of interface (RS232, RS485, etc.) required for your application. Follow the cable installation steps under the appropriate interface before continuing. Once the communication and power cables have been installed follow step 2 below for the secondary scanner installation.
2. Connect the **straight** end of the RS232 PowerLink AUX cable (PN 57-57099x-3) into the RS232 socket of the **secondary** scanner (see the figure on page 29).
3. Connect the **angled** end of the RS232 AUX cable (PN 57-57099x-3) into the 10-pin socket labeled 'Aux RS232 In', on the bottom of the MS2421/MS2422/MS2431 scanner.

*Note: The MS2421/MS2422/MS2431 series' aux port requires the signals; transmit, receive, RTS & CTS from the secondary scanner.*

*MS2421/MS2422/MS2431 scanner auxiliary port will support 5VDC devices with a 150mA maximum current. If the auxiliary device exceeds this specification, an external power supply will be required to power the auxiliary device.*

*The following Honeywell scanners can receive power from the MS2421/MS2422/MS2431 scanner: the MS9520, MS9540, and the MS5145.*

4. **This step is required for secondary devices that require >5VDC and/or 150mA current to operate.** Skip to step 5 if the secondary device requires  $\leq$  5VDC.

Plug the power supply into the **secondary** scanner's PowerLink cable (PN 57-57099x-3) and connect AC power to the secondary scanner.

*Note: Check the AC input requirements of the power supply to make sure the voltage matches the AC outlet. The outlet should be located near the equipment and be easily accessible.*

5. Configure the MS2421/MS2422/MS2431 scanner and the secondary scanner. The auxiliary input port's data format must match the main output format of the secondary scanner.

*Note: Refer to the MS2xxx Stratos Series Configuration Addendum (PN 00-02034x) under Scanner Configuration Bar Codes: Auxiliary Port, Quick Start for a Secondary Honeywell Scanners.*



## Cable Installation (Secondary Honeywell Scanner)

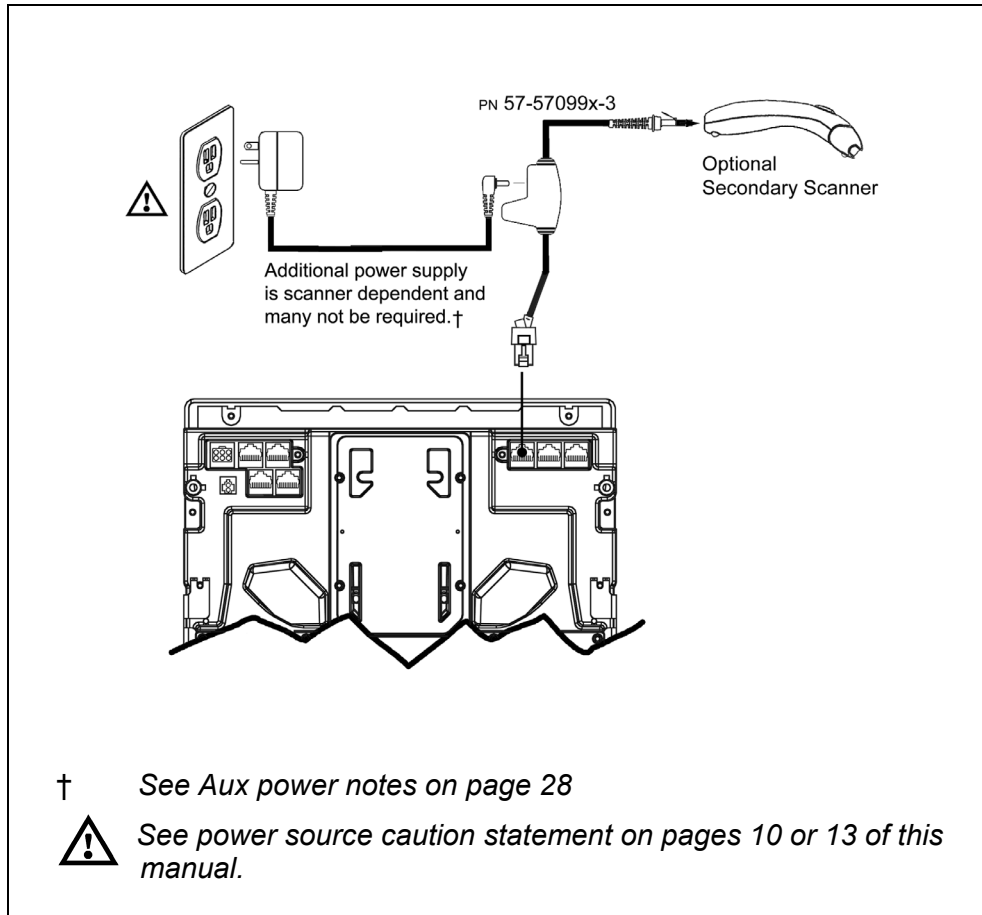


Figure 24. Secondary Scanner Cable Installation Schematic

## EAS Deactivation

SW1 and SW2 are the switch banks inside the Checkpoint device that set the deactivation range. The following is a list of Checkpoint recommended switch bank settings.

Base Model	Checkpoint Recommended Switch Bank Settings
MS2421	SW1 & SW2 switches 1 and 6 set to ON
MS2422	SW1 & SW2 switches 1 and 6 set to ON
MS2431	SW1 & SW2 switches 1 and 6 set to ON

All MS2421/MS2422/MS2431 models have a connector labeled EAS In on the bottom of the unit. An optional EAS cable (PN 52-52511 or 52-52556) available for purchase for connection between the Checkpoint device and the MS2421/MS2422/MS2431 scanner.

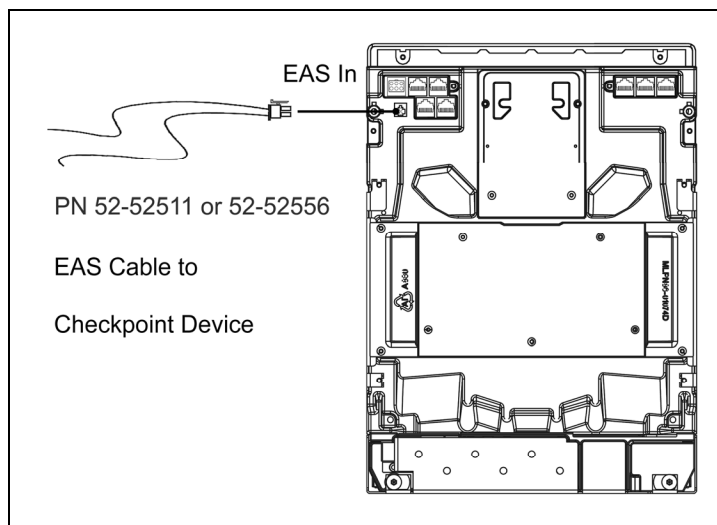


Figure 25. EAS Cable Connection (Bottom of MS2421/MS2422/MS2431)

The following figure shows the location of the EAS deactivation area for the MS2421/MS2422/MS2431 scanner. It is important to pass the entire tag through this area to deactivate the security tag.

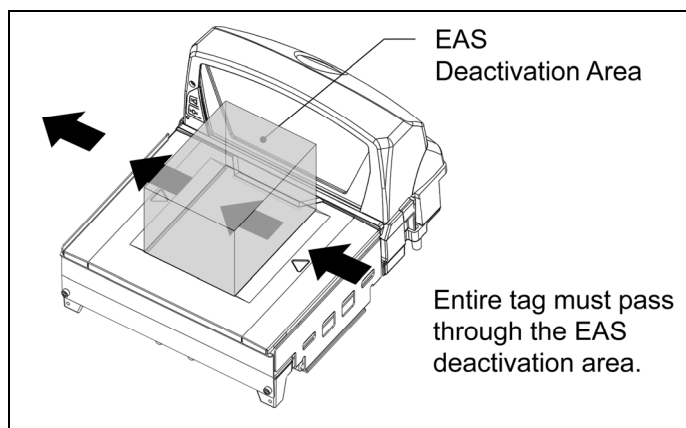


Figure 26. EAS Deactivation Area

# Scanner Operation

## Scan Zone

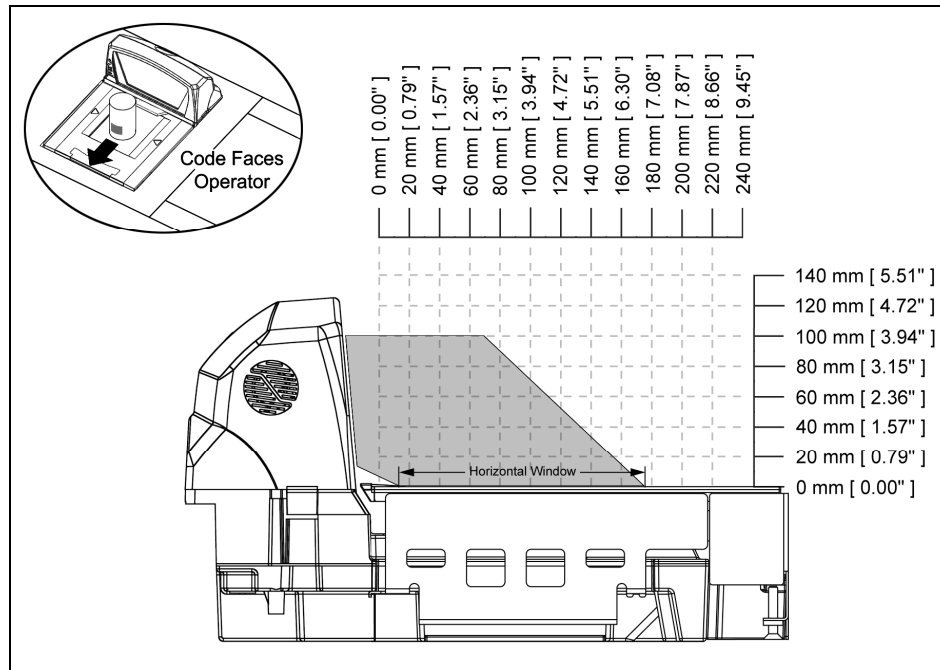


Figure 27. Checker-Side (13 mil)

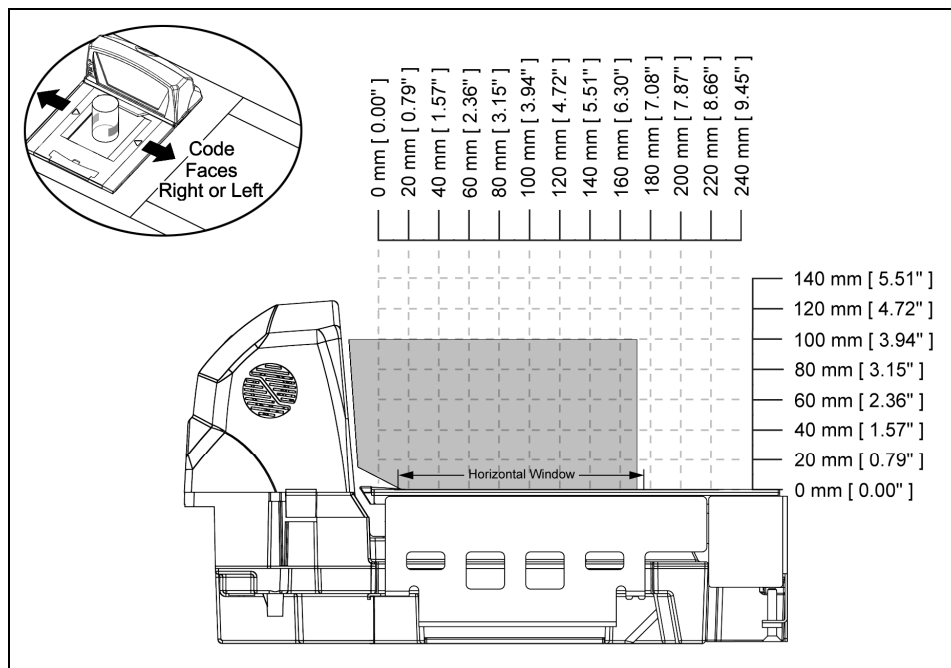


Figure 28. Horizontal Left/Right (13 mil)

Specifications are subject to change without notice.

Typical scan zones shown.

# Scan Zone

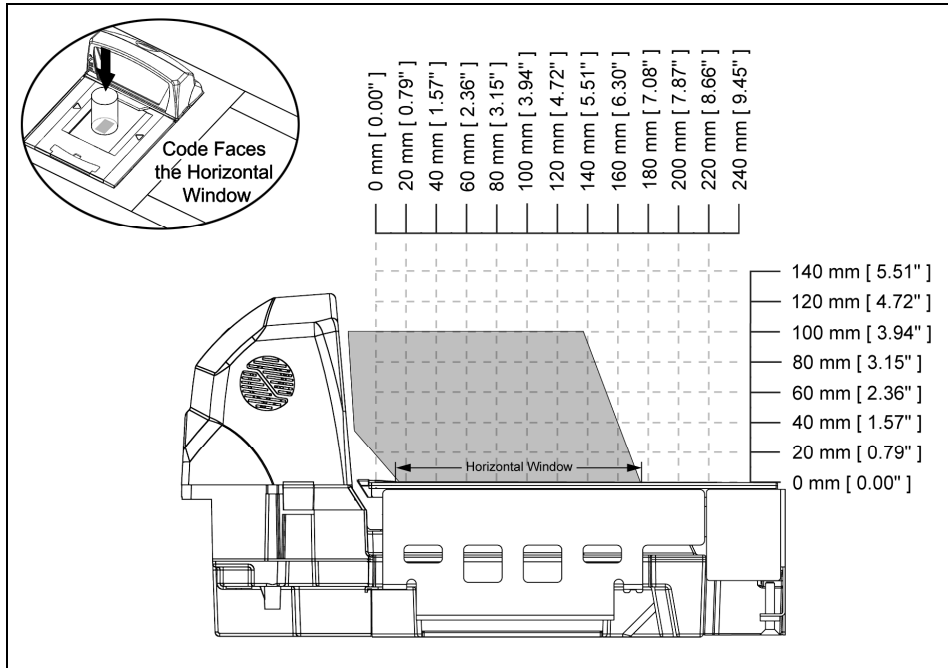


Figure 29. Horizontal Direct (13 mil)

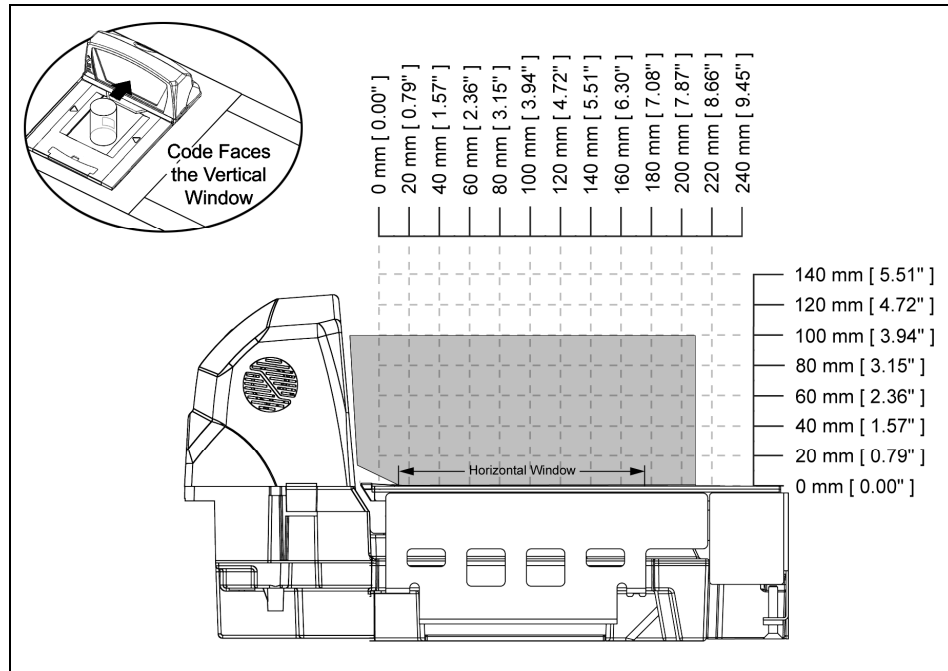


Figure 30. Vertical Direct (13 mil)

Specifications are subject to change without notice.

Typical Scan Zones shown.

## Wake Activation Area (Photocell LED Output)

The MS2421/MS2422/MS2431 scanner's default power save mode<sup>†</sup> is Dual Action Power Save Mode #2 (see page 41). This power save mode turns the laser OFF after a configured period of non-use then turns the motor OFF after thirty-minute intervals. Any movement detected by the photocell in the activation area, shown below in grey, will cause the scanner to exit the power save mode. The motor will restart automatically and the laser will turn back on preparing the scanner for bar code recognition, decoding, and transmission.

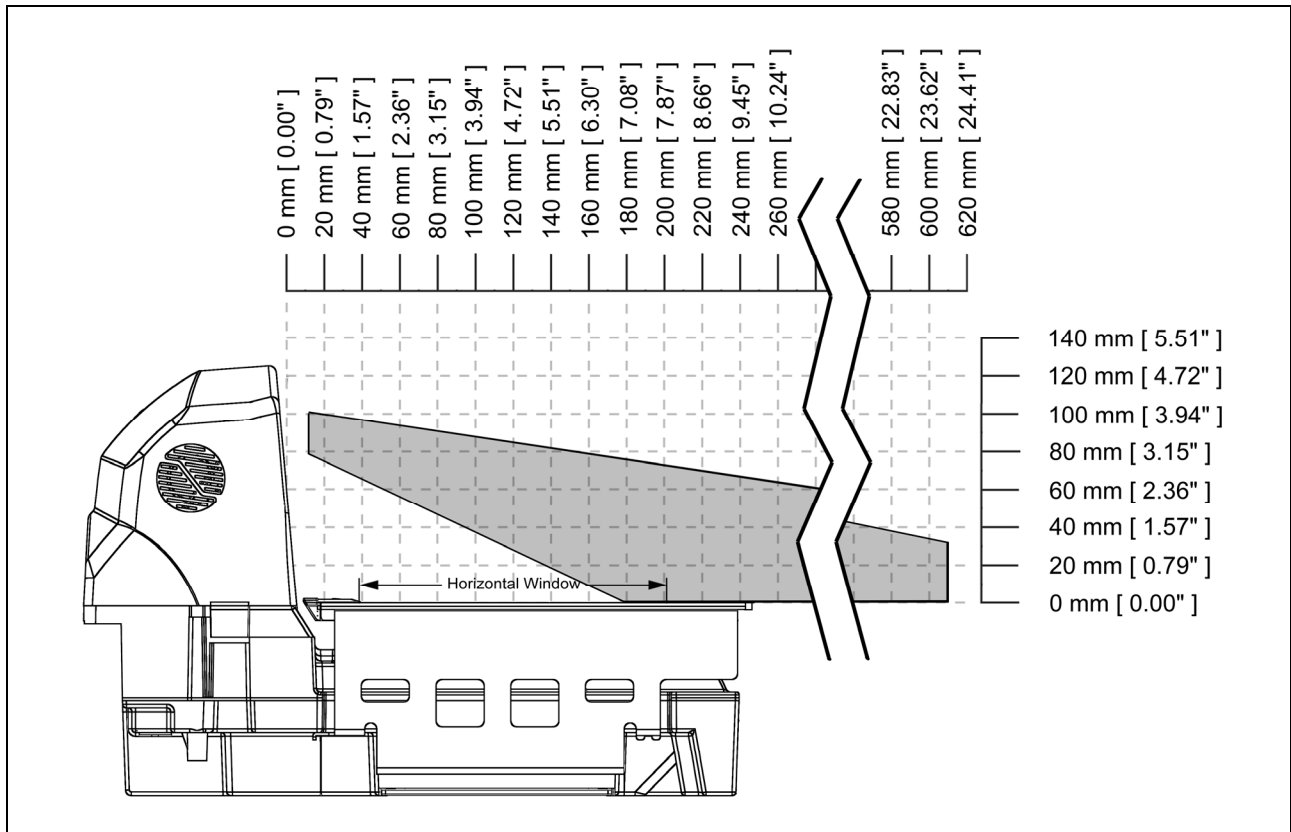


Figure 31. Wake Activation Area Perpendicular to Package Flow Default Range (Photocell LED Output)

<sup>†</sup> Refer to the MetroSelect Configuration Guide (00-02407) for additional information on configurable power save modes.

Specifications are subject to change without notice.

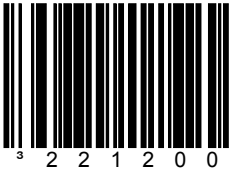
---

## Wake Activation Area Sensitivity (Photocell LED Output Range)

### Changing the Wake Area Sensitivity Level (Photocell LED Range Adjust)

The MS2400 Series bar code scanner wake area sensitivity level can be set to the end users preference by scanning one of the Photocell Sensitivity adjustment bar codes below.

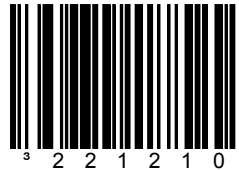
\*Max Photocell  
Sensitivity



This feature enables the MS24xx to be at Max sensitivity or far sensing for the wake up photo transistor.

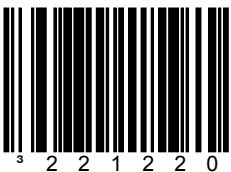
*\* This is the default setting.*

Medium Photocell  
Sensitivity



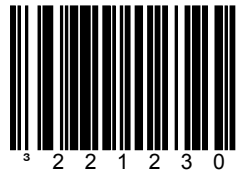
This feature enables the MS24xx to be at a medium 1 sensitivity or medium sensing for the wake up photo transistor.

Low Photocell  
Sensitivity



This feature enables the MS24xx to be at a low sensitivity or low sensing for the wake up photo transistor.

Minimum Photocell  
Sensitivity



This feature enables the MS24xx to be at the lowest sensitivity (close only) for the wake up photo transistor.

\* MS2400 Series Bar Code Scanner Default Setting

---

## ***Audible Indicators***

When in operation, the MS2421/MS2422/MS2431 scanner provides audible feedback that indicates the status of the unit and the current scan. Eight settings are available for the tone of the beep (normal, six alternate tones and no tone) plus three volume settings. To change the tone or volume, refer to the *Changing the Beeper Tone and Volume* section of this manual.

### ***One Beep***

When the scanner first receives power, the blue LED will turn on and the scanner will beep once. The scanner is now ready to scan.

When the scanner successfully reads a bar code, the blue LED will flash and the scanner beeps once (if configured to do so). If the scanner does not beep once and the blue light does not flash, then the bar code has not been successfully read.

### ***Razzberry Tone***

This is a failure indicator. Refer to failure modes on page 36.

### ***Three Beeps - during operation***

When placing the scanner in configuration mode, the blue LED will flash while the scanner simultaneously beeps three times. The blue LED will continue to flash until the unit exits configuration mode. Upon exiting configuration mode, the scanner will beep three times and the blue LED will stop flashing.

When configured, three beeps can also indicate a communications timeout during normal scanning mode.

When using one-code-configuring, the scanner will beep three times (the current selected tone), followed by a short pause, a high tone, and a low tone. This tells the user that the single configuration bar code has successfully configured the scanner.

### ***Three Beeps - on power up***

This is a failure indicator. Refer to failure modes on page 36.

### ***Descending Tone***

The scanner will emit a descending tone when the microprocessor is about to Flash upgrade.

### ***Ascending Tone***

The scanner will emit an ascending tone when the interface coprocessor is about to Flash upgrade.

---

## Visual Indicators

Blue LED is located near the bottom corner of the vertical output window. When the scanner is ON, the flashing or constant illumination of the LED indicates the status of the scanner and the current scan.

### *No Blue LED*

The blue LED will not be illuminated if the scanner is not receiving power from the host or transformer. They are also not illuminated when all lasers are turned off.

### *Steady Blue*

When all lasers are active, the blue LED is illuminated. The blue LED will remain illuminated until all lasers are deactivated.

### *Steady Blue and Single blue Flash*

When the scanner successfully reads a bar code, the blue LED will flash and the scanner will beep once. If the blue LED does not flash or the scanner does not beep once, then the bar code has not been successfully read.

### *Blue LED Off*

After a successful scan, the scanner transmits the data to the host device. Some communication modes require that the host inform the scanner when data is ready to be received. If the host is not ready to accept the information, the scanner's blue LED will remain off until the data can be transmitted.

*or*

This indicates the scanner may be waiting for communication from the host.

### *Flashing Blue*

This indicates the scanner is in program mode. A razzberry tone indicates that an invalid bar code has been scanned in this mode.

*or*

If the unit is in sleep mode, the blue LED will flash once every 15 seconds.

*or*

This indicates there is an error active on the diagnostic indicator display (see Error Codes on page 38). The scanner may continue to operate depending on the type of error.

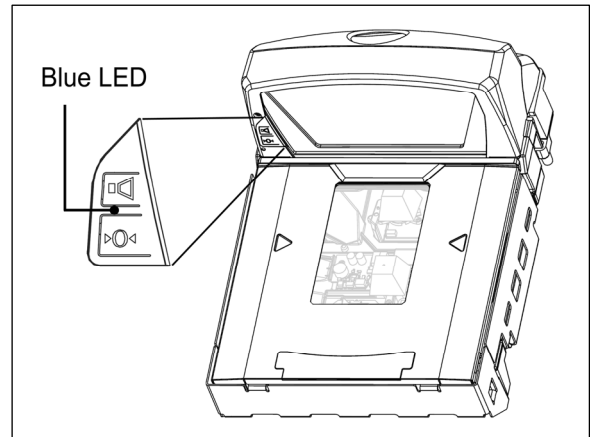


Figure 32. Blue LED



---

## **Failure Modes**

### *Flashing Blue and One Razzberry Tone*

This indicates that the scanner has experienced a laser subsystem failure. The scanner will try up to three times to correct the failure condition. If the laser subsystem continues to fail, that subsystem (horizontal or vertical) will be shut down and an error indication will be shown on the Diagnostic Indicator Display. This error stays on the display until corrected. If the remaining subsystem is still operational, scanning will continue using the operational components.

### *Flashing Blue and Two Razzberry Tones*

This indicates that the scanner has experienced a motor subsystem failure. The scanner will try up to three times to correct the failure condition. If the motor subsystem continues to fail, that subsystem (horizontal or vertical) will be shut down and an error indication will be shown on the Diagnostic Indicator Display. This error stays on the display until corrected. If the remaining subsystem is still operational, scanning will continue using the still operational components.

### *Continuous Razzberry Tone with Blue LED Off*

If, upon power up, the scanner emits a continuous razzberry tone, then the scanner has an electronic failure. Return the unit for repair at an authorized service center.

### *Three Beeps - On Power Up*

If the scanner beeps three times on power up then, the nonvolatile memory that holds the scanner configuration has failed. Return the unit for repair at an authorized service center.

## Diagnostic Indicator Display

There is a two-digit error code display located under horizontal output window near the top of the platter (see figure below).

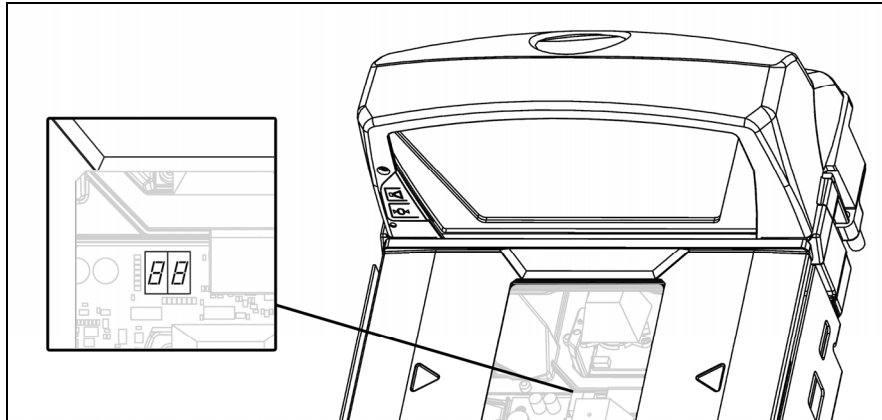


Figure 33. Error Code Display

The following is a list of possible error codes and their meanings. Some errors will require immediate scanner maintenance.

Error Code	Description
01	Reserved
02	RAM ERROR – The scanner's Random Access Memory (RAM) is tested as faulty. Return the unit for repair at an authorized service center.
03	PROGRAM ERROR – The scanner's software program is failing. Return the unit for repair.
04	INTERFACE ERROR – After power up and any application exit (e.g. MetroSet, etc.), the scanner checks the interface hardware with that chosen in configuration. If they do not agree, an interface error exists. Correct this problem by getting the proper hardware interface OR programming MS2421/MS2422/MS2431 configuration for the proper interface hardware attached.
05	CONFIGURATION ERROR – The non-volatile configuration memory did not agree with the data last saved. Default configuration data is then used and the scanner continues operating. This error is also accompanied by three beeps. This error will remain during operation as a reminder that this power cycle is scanning against a default-generated configuration.
06	COMMUNICATION ERROR – The RS232 data line is being held active. This causes the scanner to read a "break" signal constantly and continuous attempts are made to enter MetroSet configuration mode. A short on the RX Data line can cause this condition. It can also be the result of a laptop in power save mode. The scanner will abort attempts to enter configuration mode after a short timeout. The scanner can automatically recover from this condition once the short in the RX Data line is corrected.

Error Code	Description
09	COPROCESSOR COMMUNICATION ERROR – The main microprocessor is not communicating with the interface coprocessor. The interface coprocessor may be in a fault condition with the host or just not able to respond. This error may appear when the scanner is configured for USB or RS485 interface applications or during an attempt to update the interface software through the flash utility. The unit should be repaired at an authorized service center.
11	SWITCH ERROR – The switch used for volume selection or sleep mode is detected in error (always closed). The condition is self-correcting if possible. If the error persists, return the unit for repair at an authorized service center. The scanning operation can continue with this error active.
21	LASER #1 (VERTICAL) ERROR – The laser in the vertical scanning subsystem denotes a failure. The scanner will try three times to correct the laser operation. If the laser error persists, the vertical scanning subsystem will be shut down and this error code will remain on the Diagnostic Indicators.
22	LASER #2 (RIGHT HORIZONTAL) ERROR – The right laser in the horizontal scanning subsystem denotes a failure. The scanner will try three times to correct the laser operation. If the laser error persists, and the left horizontal laser (#3) is also in error, the horizontal scanning subsystem will be shut down and this error code will remain on the Diagnostic Indicators.
23	LASER #3 (LEFT HORIZONTAL) ERROR – The left laser in the horizontal scanning subsystem denotes a failure. The scanner will try three times to correct the laser operation. If the laser error persists, and the right horizontal laser (#2) is also in error, the horizontal scanning subsystem will be shut down and this error code will remain on the Diagnostic Indicators.
24	LASER #1 (VERTICAL) HIGH CURRENT WARNING – The laser in the vertical scanning subsystem is drawing excessive current. This could be a warning for a future total failure. Have the unit checked at an authorized service center when convenient.
25	LASER #2 (RIGHT HORIZONTAL) HIGH CURRENT WARNING – The laser in the vertical scanning subsystem is drawing excessive current. This could be a warning for a future total failure. Have the unit checked at an authorized service center when convenient.
26	LASER #3 (LEFT HORIZONTAL) HIGH CURRENT WARNING – The laser in the vertical scanning subsystem is drawing excessive current. This could be a warning for a future total failure. Have the unit checked at an authorized service center when convenient.
27	LASER #1 (VERTICAL) UNDERCURRENT WARNING – The laser in the vertical scanning subsystem is drawing too little current. The laser is probably not on. This could be the result of a loss of the required set point in memory. Have the unit checked at an authorized service center.

Error Code	Description
28	LASER #2 (RIGHT HORIZONTAL) UNDERCURRENT WARNING – The laser in the right horizontal scanning subsystem is drawing too little current. The laser is probably not on. This could be the result of a loss of the required set point in memory. Have the unit checked at an authorized service center.
29	LASER #3 (LEFT HORIZONTAL) UNDERCURRENT WARNING – The laser in the left vertical scanning subsystem is drawing too little current. The laser is probably not on. This could be the result of a loss of the required set point in memory. Have the unit checked at an authorized service center.
31	MOTOR #1 (VERTICAL) ERROR – The motor in the vertical scanning subsystem denotes a failure. The scanner will try three times to correct the motor operation. If the motor error persists, the vertical scanning subsystem will be shut down and this error code will remain on the Diagnostic Indicators.
32	MOTOR #2 (HORIZONTAL) ERROR – The motor in the horizontal scanning subsystem denotes a failure. The scanner will try three times to correct the motor operation. If the motor error persists, the horizontal scanning subsystem will be shut down and this error code will remain on the Diagnostic Indicators.
34	MOTOR #1 (VERTICAL) SPEED ERROR – The motor in the vertical section cannot be speed controlled as desired. Have the unit checked at an authorized service center.
35	MOTOR #2 (HORIZONTAL) SPEED ERROR – The motor in the horizontal section cannot be speed controlled as desired. Have the unit checked at an authorized service center.

---

## Power Save Modes

The MS2421/MS2422/MS2431 bar code scanners have five configurable power save modes. Refer to the MetroSelect Configuration Guide for additional information on Power Save Modes.

1. **Blink Power Save Mode:**

Blinks the laser OFF & ON after a configured period of non-use.

When the scanner recognizes a bar code it will exit the Blink mode.

2. **Laser Off Power Save Mode:**

Turns the laser OFF after a configured period of non-use. The motor continues to spin allowing for a faster “wake” up time.

Any movement detected by the photocell will “wake” the scanner from the Laser Off power save mode (see Figure 31 on page 33).

3. **Laser & Motor Off Power Save Mode:**

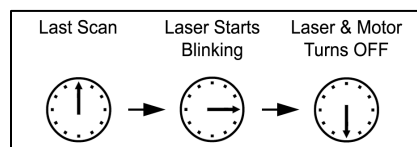
Turns the laser and motor OFF after a configured period of non-use.

Any movement detected by the photocell will “wake” the scanner from the power save mode (see Figure 31 on page 33). This mode’s “wake” time is slightly longer due to the motor’s need to restart.

4. **Dual Action Power Save Mode #1:**

“Blinks” the laser OFF & ON after a configured period of non-use turns the laser and motor OFF at thirty-minute intervals.

Example:  
If the power save timeout is set to 15 minutes.

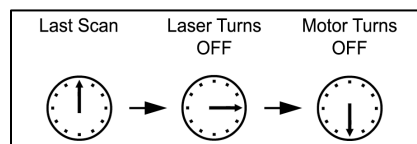


Any movement detected by the photocell will “wake” the scanner from the power save mode (see Figure 31 on page 33).

5. **Dual Action Power Save Mode #2 (Default):**

Turns the laser OFF after a configured period of non-use then turns the motor OFF after thirty-minute intervals.

Example:  
If the power save timeout is set to 15 minutes.



Any movement detected by the photocell will “wake” the scanner from the power save mode (see Figure 31 on page 33).

## Beeper Options and Button Functions

### Changing the Beeper Tone

Beeper tones may be configured incrementally using the following bar code. The new tone will be heard followed by a short pause. Two more new tones will be heard signifying the new setting has been stored in memory. The silent (no beep) tone is also selectable.



### Changing the Beeper Volume

Volume levels may be configured using the volume button or incrementally using the following bar code. The new volume will be heard followed by a short pause. Two more tones will be heard signifying the new setting has been saved in memory. The silent (no volume) tone is also selectable.



### The Multi-Function Button

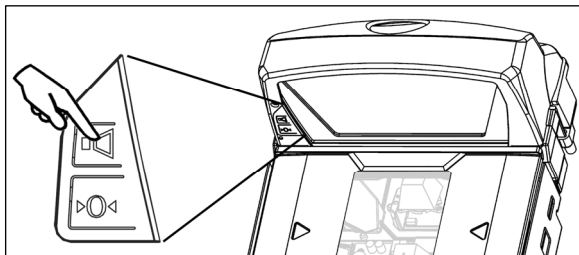


Figure 34. The Multi-Function Button

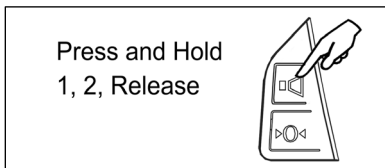


Figure 35. Changing the Beeper Volume

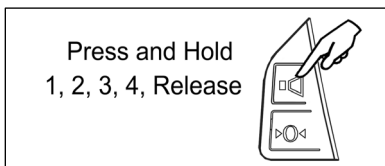


Figure 36. Laser & Motor Off Power Save Mode

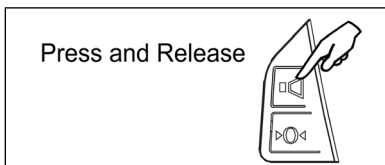


Figure 37. Normal Operation

### Changing the Beeper Volume

A short (<3 second) depression and the beeper volume will change. The new volume will be heard. The silent (no beep) volume is also selectable.

### Placing the Unit in Laser & Motor Off Power Save Mode

Long (>3 seconds) depression. The Laser and Motor Off Power Save Mode is the only power save mode that can be activated with the multi-function button\*.

\* This feature is configuration dependent. Refer to the MetroSelect Configuration Guide (PN 00-02407x) under Scanner Operation: Power Save Modes to enable this feature.

### Waking the Unit from All Power Save Modes

The next button depression will awaken the scanner for normal operation.

---

## ***Startup***

When the scanner first receives power, the blue LED will turn on and the scanner will beep once. The scanner is now ready to scan.

## ***Power-Up Test Mode***

When a MS2421/MS2422/MS2431 scanner is first powered up, it cycles through a number of self-tests before starting normal operation. If there are any initial failures during this sequence of tests the scanner will beep or razz to indicate the error and an error code will appear in the diagnostic indicator display.

The following are examples of the types of tests performed at power-up.

1. Memory tests
2. Hardware setup tests
3. Motor tests
4. Laser tests
5. Configuration tests
6. Interface tests

These tests are also performed on a periodic basis with the operator alerted to any failures.

## ***Configuration Mode***

All MS2421/MS2422/MS2431 bar code scanners have been configured at the factory with a set of default communication protocols. Since many host systems have unique formats and protocol requirements, a wide range of configurable features that may be selected with the use of the MetroSelect® Configuration Guide (PN 00-02407x), the MS2xxx Stratos Series Configuration Addendum (PN 00-02034x) and MetroSet.





# Maintenance

## Horizontal Scan Window Replacement

**Note:** After the replacement platter has been installed, remove all protective film from the new platter's window. **The unit will not function properly if the protective film is not removed.**

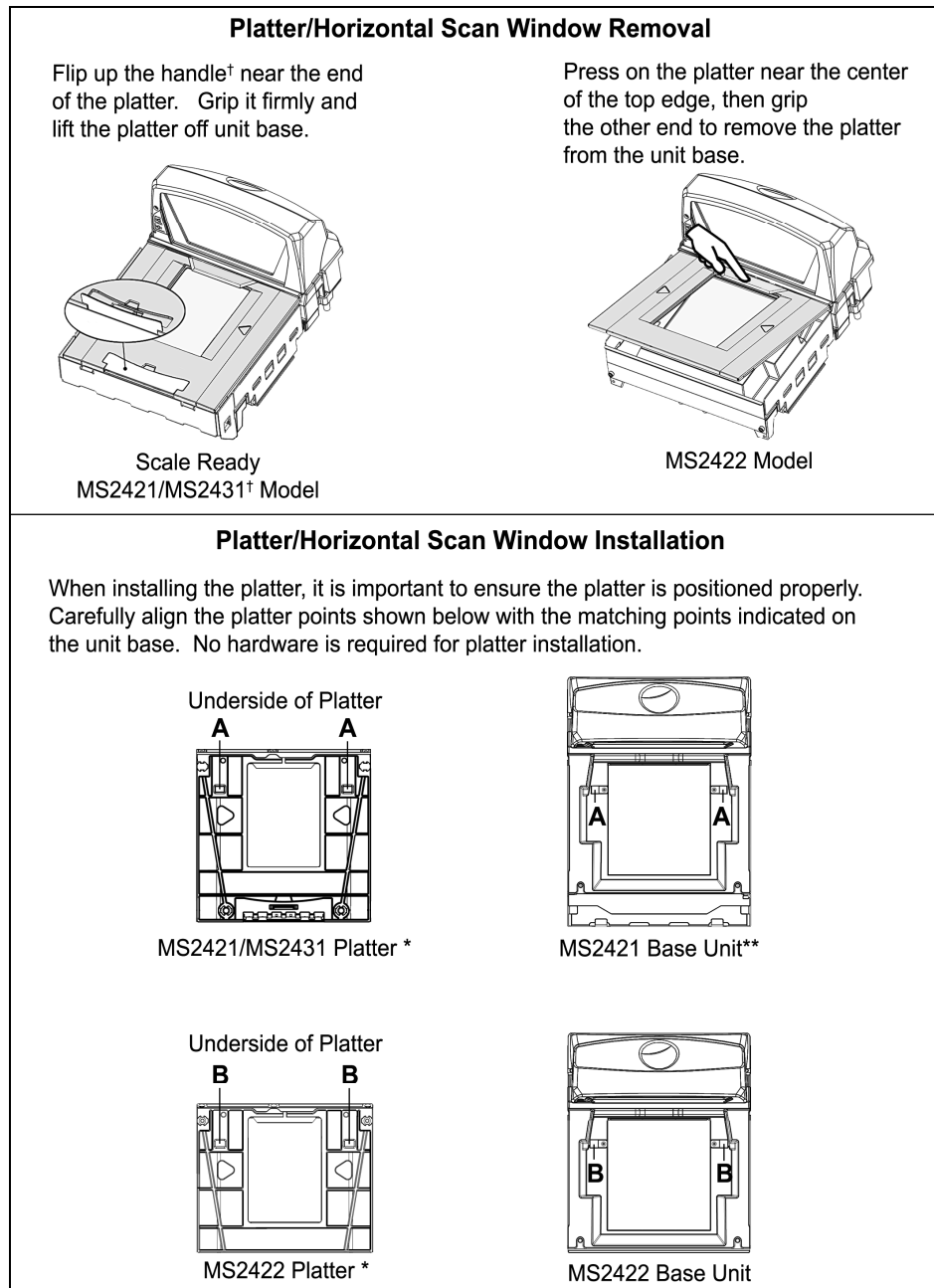


Figure 38. Platter/Horizontal Scan Window Replacement

\* See replacement parts on page 3.

\*\* For MS2431, use the same points as shown for the MS2421 to install the platter.

† If the platter on the MS2421/MS2431 is not equipped with a product weight roll bar / lift handle, it can be removed using the same method as shown for the MS2422.

---

## ***Daily Maintenance***

Smudges and dirt on the unit's window can interfere with the unit's performance. If the horizontal or vertical output windows require cleaning, use only a mild glass cleaner containing no ammonia. When cleaning the window, spray the cleaner onto a lint free, non-abrasive cleaning cloth then gently wipe the window clean.

If the unit's case requires cleaning, use a mild cleaning agent that does not contain strong oxidizing chemicals. Strong cleaning agents may discolor or damage the unit's exterior.

Routinely check and clean the base unit to ensure that no debris is interfering with the platter movement.

# Troubleshooting

The following guide is for reference purposes only. Contact a customer service representative to preserve the limited warranty terms.

Symptom	Possible Cause(s)	Solution
All Interfaces		
No LED, beep, or motor spin.	No power is being supplied to the scanner.	Check the transformer, outlet, and the power strip. Make sure the power cable is plugged into the scanner.
During power up the unit beeps 3 times.	A non-volatile RAM failure.	Contact a customer service representative, if the unit will not hold the configuration.
During power up the unit razzes continuously.	There has been a diagnostic failure.	Contact a customer service representative, if the unit will not function.
During power up the unit razzes once and the blue LED flashes.	A VLD failure.	Contact a customer service representative.
During power up the unit razzes twice and blue LED flash.	Scanner motor failure.	Contact a customer service representative.
There are multiple scans upon presentation of code.	The same symbol timeout is set to short.	Adjust same symbol timeout for a longer time.
The unit powers up but does not beep.	The beeper is disabled.	Enable the beeper.
	No volume is selected.	Select a volume.
	No tone is selected.	Select a tone.
The unit powers up but does not scan and/or beep.	The unit is trying to scan a particular symbology that is not enabled.	UPC/EAN and Code 128 are enabled by default. Verify that the type of bar code being read has been selected.
	The unit has been configured for a character length lock or a minimum length and the bar code being scanned does not satisfy the configured criteria.	Verify that the bar code that is being scanned falls into the criteria.  Typical of Non-UPC/EAN codes. The scanner defaults to a minimum of 4 character bar code.
The unit scans a bar code, but locks up after the first scan (the blue LED stays on).	The scanner is configured to support some form of host handshaking but is not receiving the signal.	If the scanner is setup to support ACK/NAK, RTS/CTS, XON/XOFF, or D/E, verify that the host cable and host are supporting the handshaking properly.
The unit scans but the data transmitted to the host is incorrect.	The scanner's data format does not match the host system requirements.	Verify that the scanner's data format matches that required by the host. Make sure that the scanner is connected to the proper host port.

Symptom	Possible Cause(s)	Solution
All Interfaces		
Scanner beeps at some bar codes and NOT for others of the same bar code symbology.	The print quality of the bar code is suspect.	The type of printer and/or the printer settings could be the problem.  Check the print mode or change the printer settings. For example change to econo mode or high speed.
	Check the character length lock.	
	The aspect ratio of the bar code is out of tolerance.	
The unit powers up but does not scan and/or beep.	The unit is trying to scan a particular symbology that is not enabled.	UPC/EAN and Code 128 are enabled by default. Verify that the type of bar code being read has been selected.
	The unit has been configured for a character length lock or a minimum length and the bar code being scanned does not satisfy the configured criteria.	Verify that the bar code that is being scanned falls into the criteria.  Typical of Non-UPC/EAN codes. The scanner defaults to a minimum of 4 character bar code.
The unit beeps at some bar codes but NOT for others of the same bar code symbology.	The bar code may have been printed incorrectly.	Check if it is a check digit, character or border problem.
	The scanner is not configured correctly for this type of bar code.	Check if check digits are set properly.
	The minimum symbol length setting does not work with the bar code.	Check if the correct minimum symbol length is set.
RS232 Only		
The unit powers up OK and scans OK but does not communicate properly to the host.	The com port at the host is not working or is not configured properly.	Check to make sure that the baud rate and parity of the scanner and the communication port match and the program is looking for RS232 data.
	The cable is not connected to the proper com port.	
	The com port is not operating properly.	

Symptom	Possible Cause(s)	Solution
RS232 Only		
The host is receiving data but the data does not look correct.	The scanner and host may not be configured for the same interface.	Check that the scanner and the host are configured for the same interface.
Characters are being dropped.	The intercharacter delay needs to be added to the transmitted output.	Add some intercharacter delay to the transmitted output by using the MetroSelect Configuration Guide (PN 00-02407x).
Aux Port Operation With Any Interface		
The secondary scanner is not functioning.		Refer to the user's guide provided with the secondary scanner.
The secondary scanner powers up but data is not relayed to the host.	The secondary scanner cable may not be connected to the proper port on the scanner.	Ensure that the secondary scanner is connected to the MS242x com port marked "Aux" port.
	The auxiliary com port may not be operating properly.	* The scanner must be configured to enable the auxiliary port.  The auxiliary input port's data format must match the main output format of the secondary scanner.
* Refer to the MS2xxx Stratos Series Configuration Addendum (PN 00-02034x) under Scanner Configuration Bar Codes: Auxiliary Port, Quick Start for a Secondary Honeywell Scanner.		



# Scanner and Cable Terminations

## Scanner Pinout Connections

The MS2421/MS2422/MS2431 scanner terminates to 10-pin modular jacks located on the bottom of the unit. The serial number label indicates the model number and interface of the scanner.

EAS	
Pin	Function
1	EAS In
2	EAS Out

DC Power	
Pin	Function
1	No Connect
2	Earth Ground
3	No Connect
4	5.2VDC
5	Ground
6	12VDC

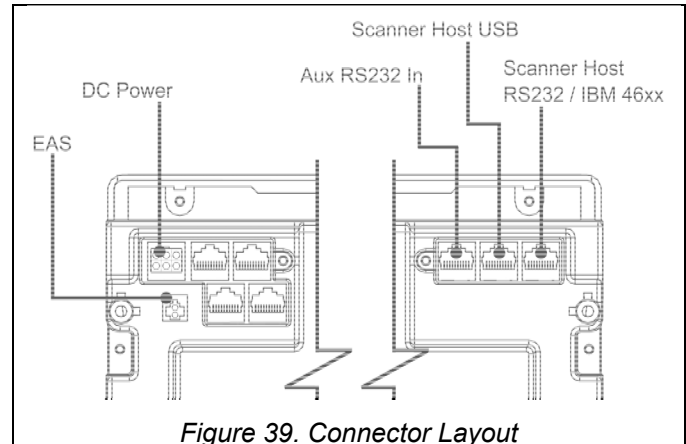


Figure 39. Connector Layout

Scanner to Host, RS485	
Pin	Function
1	Signal Ground
2	Reserved for RS232 Interface
3	Reserved for RS232 Interface
4	Reserved for RS232 Interface
5	Reserved for RS232 Interface
6	Reserved for RS232 Interface and EAS
7	No Connect
8	Reserved for RS232 Interface and EAS
9	IBM B-
10	IBM A+

Scanner to Host, RS232	
Pin	Function
1	Ground
2	RS232 Transmit
3	RS232 Receive
4	RS232 RTS Output
5	RS232 CTS Input
6	RS232 DTR Input (EAS GPIO IN)
7	No Connect
8	DSR (EAS GPIO OUT)
9	Reserved for RS485 Interface
10	Reserved for RS485 Interface

Scanner to Host, USB	
Pin	Function
1	Signal Ground
2	RS232 Transmit
3	RS232 Receive
4	Shield
5	No Connect
6	RS232 CTS Input (EAS GPIO IN)
7	PC+5VDC
8	RS232 RTS Output (EAS GPIO OUT)
9	Data -
10	Data +

Auxiliary RS232 In	
Pin	Function
1	Ground
2	RS232 Receive Input
3	RS232 Transmit Output
4	RS232 RTS In
5	RS232 CTS Out
6	EAS GPIO IN
7	Ground
8	EAS GPIO OUT
9	+5V Out
10	No Connect

Specifications are subject to change without notice.

## Scale Ready MS2421/MS2431 Models – Additional Pinout Connections

There are four additional 10-pin modular jacks located on the bottom of the of the MS2421/MS2431 scanner models that may be used for an integrated scale application and the use of a remote display.

**Note:** Please keep in mind that every application is unique. The use of these connections depends on the specifications of the scale's manufacturer. The following pinouts are for **reference only**. If the scanner has been integrated with a scale, refer to the Scale Addendum for detailed instructions on the appropriate cable connections, communication specifications and calibration procedures required by the scale manufacturer and local Weights and Measures authorities. **When connecting any combination of scale/external scale display to the MS2421/MS2431 do not exceed the following current restrictions: 12V @ 0.7A max. / 5V @ 0.2A max.**

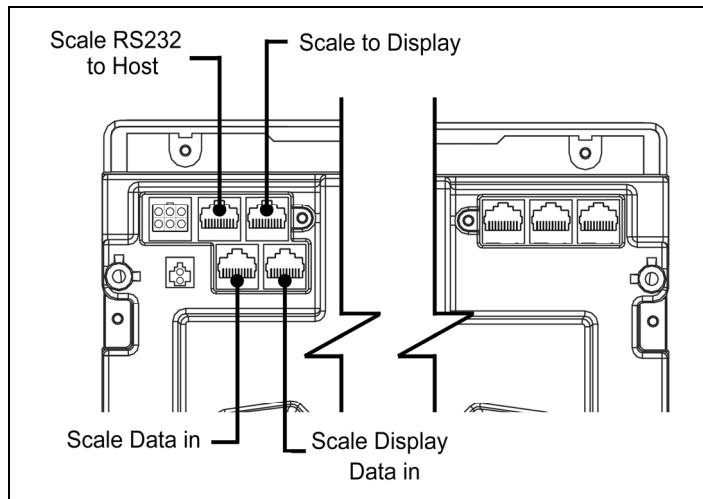


Figure 40. Scale Ready Connector Layout

Scale Display Data In Scale Data to Display from the Load Cell Interface	
Pin	Function **
1	SIG1
2	SIG2
3	SIG3
4	SIG4
5	SIG5
6	SIG6
7	SIG7 ††
8	SIG8 ††
9	SIG9 ††
10	SIG10 ††

Scale Data In RS232 from the Load Cell Interface	
Pin	Function**
1	12V
2	Ground
3	5V
4	Ground
5	RS232 TX In
6	RS232 RX Out
7	RS232 CTS In
8	RS232 RTS Out
9	Scale Status, TTL
10	Scale Zero, TTL

Scale RS232 to Host Scale Data, Dual Cable Applications	
Pin	Function**
1	Ground
2	Scale RS232 TX Out
3	Scale RS232 RX In
4	Scale RS232 RTS Out
5	Scale RS232 CTS In
6	No Connect
7	No Connect
8	No Connect
9	No Connect
10	Shield

Scale to Display	
Pin	Function**
1	SIG1
2	SIG2
3	SIG3
4	SIG4
5	SIG5
6	SIG6
7	SIG7 ††
8	SIG8 ††
9	SIG9 ††
10	SIG10 ††

\*\* All signals are referenced from the MS2421/MS2431 scanner.

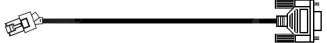
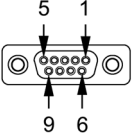
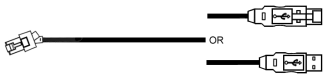
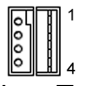


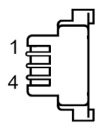
†† The use of these pins depends upon the specifications of the scale's manufacturer.

Specifications are subject to change without notice.



## Cable Connector Configurations


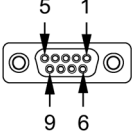
The following cables are examples of some of the standard cables that may be shipped with the MS2421/MS2422/MS2431 bar code scanner. Please keep in mind that every application is unique and the cables received with the MS2421/MS2422/MS2431 scanner may be custom cables that are not shown below.



RS232 Interface Cable, PN 57-57210x-N-3			
<b>Pin</b>	<b>Function**</b>	 <p>9-Pin D-Type Connector</p>	
1	No Connect		
2	RS232 TX Output		
3	RS232 RX Input		
4	DTR Input		
5	Power/Signal Ground		
6	DSR Output		
7	CTS Input		
8	RTS Output		
9	No Connect		
Full Speed USB Cable, PN 57-57201x-N-3 or PN 57-57227x-N-3			
<b>Pin</b>	<b>Function**</b>	 <p>Locking, Type A 57-57227x-N-3</p>	
1	PC+5V USB	 <p>Non-Locking, Type A 57-57201x-N-3</p>	
2	Data -		
3	Data +		
4	Ground		
RS485 Cable, PN 57-57212x-N-3			
<b>Pin</b>	<b>Function**</b>	 <p>4-Pin SDL</p>	
1	Signal Ground		
2	IBM A+		
4	No Connect		

\*\* All signals are referenced from the MS2421/MS2422/MS2431 scanner.

Specifications are subject to change without notice.

## Cable Connector Configurations

Aux Port Configuration Cable*, PN 57-57008x-N-3		
Pin	Function**	 <p>9-Pin D-Type Connector</p>
1	No Connect	
2	Output from Scanner	
3	Input to Scanner	
4	No Connect	
5	Ground	
6	No Connect	
7	No Connect	
8	No Connect	
9	No Connect	

RS232 LSO/AUX Cable, PN 57-57099x-3		
Pin	Function†	 <p>10-Position Angled Modular Plug</p>
1	Signal Ground	
2	RS232 from Aux / Secondary Scanner	
3	RS232 to Aux / Secondary Scanner	
4	RTS from Aux / Secondary Scanner	
5	CTS to Aux / Secondary Scanner	
6	No Connect	
7	No Connect	
8	No Connect	
9	+5VDC – Transformer / Direct	
10	Shield Ground	

\* This configuration cable was designed to be used with the MS2421/MS2422/MS2431 auxiliary connector only.

\*\* All signals are referenced from the MS2421/MS2422/MS2431 scanner.

† All signals are referenced from the auxiliary / secondary scanner.

Specifications are subject to change without notice.

# Regulatory Compliance

## Safety

### ITE Equipment

IEC 60950-1, EN 60950-1

### Laser

Laser Class 1: IEC 60825-1:1993+A1+A2,  
EN 60825-1:1994+A1+A2



#### ⚠ Caution

Use of controls or adjustments or performance of procedures other than those specified herein may result in hazardous laser light exposure. Under no circumstances should the customer attempt to service the laser scanner. Never attempt to look at the laser beam, even if the scanner appears to be nonfunctional. Never open the scanner in an attempt to look into the device. Doing so could result in hazardous laser light exposure. The use of optical instruments with the laser equipment will increase eye hazard.

#### ⚠ Atención

La modificación de los procedimientos, o la utilización de controles o ajustes distintos de los especificados aquí, pueden provocar una luz de láser peligrosa. Bajo ninguna circunstancia el usuario deberá realizar el mantenimiento del láser del escáner. Ni intentar mirar al haz del láser incluso cuando este no esté operativo. Tampoco deberá abrir el escáner para examinar el aparato. El hacerlo puede conllevar una exposición peligrosa a la luz de láser. El uso de instrumentos ópticos con el equipo láser puede incrementar el riesgo para la vista.

#### ⚠ Attention

L'emploi de commandes, réglages ou procédés autres que ceux décrits ici peut entraîner de graves irradiations. Le client ne doit en aucun cas essayer d'entretenir lui-même le scanner ou le laser. Ne regardez jamais directement le rayon laser, même si vous croyez que le scanner est inactif. N'ouvrez jamais le scanner pour regarder dans l'appareil. Ce faisant, vous vous exposez à une rayonnement laser qui est dangereux. L'emploi d'appareils optiques avec cet équipement laser augmente le risque d'endommagement de la vision.

#### ⚠ Achtung

Die Verwendung anderer als der hier beschriebenen Steuerungen, Einstellungen oder Verfahren kann eine gefährliche Laserstrahlung hervorrufen. Der Kunde sollte unter keinen Umständen versuchen, den Laser-Scanner selbst zu warten. Sehen Sie niemals in den Laserstrahl, selbst wenn Sie glauben, daß der Scanner nicht aktiv ist. Öffnen Sie niemals den Scanner, um in das Gerät hineinzusehen.

#### ⚠ Attenzione

L'utilizzo di sistemi di controllo, di regolazioni o di procedimenti diversi da quelli descritti nel presente Manuale può provocare delle esposizioni a raggi laser rischiose. Il cliente non deve assolutamente tentare di riparare egli stesso lo scanner laser. Non guardate mai il raggio laser, anche se credete che lo scanner non sia attivo. Non aprite mai lo scanner per guardare dentro l'apparecchio. Facendolo potete esporvi ad una esposizione laser rischiosa. L'uso di apparecchi ottici, equipaggiati con raggi laser, aumenta il rischio di danni alla vista..

---

## **EMC**

### *Emissions*

FCC Part 15, ICES-003, CISPR 22, EN 55022

### *Immunity*

CISPR 24, EN 55024

*Note:* Immunity performance is not guaranteed for scanner cables greater than 3 meters in length when fully extended.

Changes or modifications not expressly approved by the party responsible for compliance could void the user's authority to operate the equipment.

### *Class A Devices*

**The following is applicable when the scanner cable is greater in length than 3 meters (9.8 feet) when fully extended:**

**Les instructions ci-dessous s'appliquent aux cables de scanner dépassant 3 mètres (9.8 pieds) de long en extension maximale:**

**Folgendes trifft zu, wenn das Scannerkabel länger als 3 Meter ist:**

This equipment has been tested and found to comply with limits for a Class A digital device, pursuant to part 15 of the FCC Rules. These limits are designed to provide reasonable protection against harmful interference when the equipment is operated in a commercial environment. This equipment generates, uses and can radiate radio frequency energy and, if not installed and used in accordance with the instruction manual, may cause harmful interference to radio communications. Operation of this equipment in a residential area is likely to cause harmful interference, in which case the user will be required to correct the interference at their own expense. Any unauthorized changes or modifications to this equipment could void the user's authority to operate this device.

This device complies with part 15 of the FCC Rules. Operation is subject to the following two conditions: (1) This device may not cause harmful interference, and (2) this device must accept any interference received, including interference that may cause undesired operation.

### **Notice**

This Class A digital apparatus complies with Canadian ICES-003.

### **Remarque**

Cet appareil numérique de classe A est conforme à la norme canadienne NMB-003.

### *European Standard*

### **Warning**

This is a class A product. In a domestic environment this product may cause radio interference in which case the user may be required to take adequate measures.

### *Funkstöreigenschaften nach EN55022:1998*

### **Warnung!**

Dies ist eine Einrichtung der Klasse A. Diese Einrichtung kann im Wohnbereich Funkstörungen verursachen. In diesem Fall kann vom Betreiber verlangt werden, angemessene Massnahmen durchzuführen.

---

## *Standard Europeo*

### **Attenzione**

Questo è un prodotto di classe A. Se usato in vicinanza di residenze private potrebbe causare interferenze radio che potrebbero richiedere all'utilizzatore opportune misure.

### **Attention**

Ce produit est de classe "A". Dans un environnement domestique, ce produit peut être la cause d'interférences radio. Dans ce cas l'utilisateur peut être amené à prendre les mesures adéquates.

## **EMC**

Changes or modifications not expressly approved by the party responsible for compliance could void the user's authority to operate the equipment.

### *Class B Devices*

**The following is applicable when the scanner cable is less than 3 meters (9.8 feet) in length when fully extended:**

**Les instructions ci-dessous s'appliquent aux câbles de scanner ne dépassant pas 3 mètres (9.8 pieds) de long en extension maximale:**

**Folgendes trifft zu, wenn das Scannerkabel kürzer als 3 Meter ist:**

This device complies with Part 15 of the FCC Rules. Operation is subject to the following two conditions: (1) This device may not cause harmful interference, and (2) this device must accept any interference received, including interference that may cause undesired operation.

This equipment has been tested and found to comply with the limits for a Class B digital device, pursuant to Part 15 of the FCC rules. These limits are designed to provide reasonable protection against harmful interference in a residential installation. This equipment generates, uses and can radiate radio frequency energy and, if not installed and used in accordance with the instructions, may cause harmful interference to radio communications. However, there is no guarantee that interference will not occur in a particular installation. If this equipment does cause harmful interference to radio or television reception, which can be determined by turning the equipment off and on, the user is encouraged to try to correct the interference by one or more of the following measures:

- Reorient or relocate the receiving antenna
- Increase the separation between the equipment and receiver
- Connect the equipment into an outlet on a circuit different from that to which the receiver is connected
- Consult the dealer or an experienced radio/TV technician for help

### **Notice**

This Class B digital apparatus complies with Canadian ICES-003.

### **Remarque**

Cet appareil numérique de classe B est conforme à la norme canadienne NMB-003.



## ***Limited Warranty***

Honeywell International Inc. ("HII") warrants its products and optional accessories to be free from defects in materials and workmanship and to conform to HII's published specifications applicable to the products purchased at the time of shipment. This warranty does not cover any HII product which is (i) improperly installed or used; (ii) damaged by accident or negligence, including failure to follow the proper maintenance, service, and cleaning schedule; or (iii) damaged as a result of (A) modification or alteration by the purchaser or other party, (B) excessive voltage or current supplied to or drawn from the interface connections, (C) static electricity or electro-static discharge, (D) operation under conditions beyond the specified operating parameters, or (E) repair or service of the product by anyone other than HII or its authorized representatives.

This warranty shall extend from the time of shipment for the duration published by HII for the product at the time of purchase ("Warranty Period"). Any defective product must be returned (at purchaser's expense) during the Warranty Period to HII factory or authorized service center for inspection. No product will be accepted by HII without a Return Materials Authorization, which may be obtained by contacting HII. In the event that the product is returned to HII or its authorized service center within the Warranty Period and HII determines to its satisfaction that the product is defective due to defects in materials or workmanship, HII, at its sole option, will either repair or replace the product without charge, except for return shipping to HII.

EXCEPT AS MAY BE OTHERWISE PROVIDED BY APPLICABLE LAW, THE FOREGOING WARRANTY IS IN LIEU OF ALL OTHER COVENANTS OR WARRANTIES, EITHER EXPRESSED OR IMPLIED, ORAL OR WRITTEN, INCLUDING, WITHOUT LIMITATION, ANY IMPLIED WARRANTIES OF MERCHANTABILITY OR FITNESS FOR A PARTICULAR PURPOSE, OR NON-INFRINGEMENT.

HII'S RESPONSIBILITY AND PURCHASER'S EXCLUSIVE REMEDY UNDER THIS WARRANTY IS LIMITED TO THE REPAIR OR REPLACEMENT OF THE DEFECTIVE PRODUCT WITH NEW OR REFURBISHED PARTS. IN NO EVENT SHALL HII BE LIABLE FOR INDIRECT, INCIDENTAL, OR CONSEQUENTIAL DAMAGES, AND, IN NO EVENT, SHALL ANY LIABILITY OF HII ARISING IN CONNECTION WITH ANY PRODUCT SOLD HEREUNDER (WHETHER SUCH LIABILITY ARISES FROM A CLAIM BASED ON CONTRACT, WARRANTY, TORT, OR OTHERWISE) EXCEED THE ACTUAL AMOUNT PAID TO HII FOR THE PRODUCT. THESE LIMITATIONS ON LIABILITY SHALL REMAIN IN FULL FORCE AND EFFECT EVEN WHEN HII MAY HAVE BEEN ADVISED OF THE POSSIBILITY OF SUCH INJURIES, LOSSES, OR DAMAGES. SOME STATES, PROVINCES, OR COUNTRIES DO NOT ALLOW THE EXCLUSION OR LIMITATIONS OF INCIDENTAL OR CONSEQUENTIAL DAMAGES, SO THE ABOVE LIMITATION OR EXCLUSION MAY NOT APPLY TO YOU.

All provisions of this Limited Warranty are separate and severable, which means that if any provision is held invalid and unenforceable, such determination shall not affect the validity of enforceability of the other provisions hereof. Use of any peripherals not provided by the manufacturer may result in damage not covered by this warranty. This includes but is not limited to: cables, power supplies, cradles, and docking stations. HII extends these warranties only to the first end-users of the products. These warranties are non-transferable.

The duration of the limited warranty for the MS2421/MS2422/MS2431 is two (2) year(s). The accessories have a 90 day limited warranty from the date of manufacture.







# ***Patents***

This Honeywell product may be covered by, but not limited to, one or more of the following US Patents:

U.S. Patent No.;

5,216,232; 5,343,027; 5,686,717; 5,777,315; 5,828,049; 6,299,065; 6,347,743; 6,354,505; 6,422,467;  
6,481,625; 6,494,377; 6,814,292; 6,830,190; 6,874,690; 6,918,540; 6,945,463; 6,951,304; 6,969,004;  
6,991,167; 7,017,813; 7,051,922; 7,083,102; 7,086,597; 7,100,832; 7,195,167; 7,296,748; 7,314,176;  
7,341,192; 7,374,094; 7,383,996; 7,407,103; 7,422,156; 7,510,118

No license, right or sublicense is granted, either expressly or by implication, estoppel, or otherwise, under any Metrologic, Honeywell or third party intellectual property rights (whether or not such third party rights are licensed to Metrologic and/or Honeywell), including any third party patent listed above, except for an implied license only for the normal intended use of the specific equipment, circuits, and devices represented by or contained in the products that are physically transferred to the user, and only to the extent of those license rights and subject to any conditions, covenants and restrictions therein.

Other worldwide patents pending.



# Index

## A

AC ..... see power  
application ..... 38  
audible ..... see indicators  
AUX ..... 7, 49, 51

## B

beep ..... see indicators  
blue LED ..... see indicators  
button  
    multi-function ..... 7, 11, 42  
    tone ..... 7, 11, 42  
    volume ..... 7, 11, 42

## C

cable ..... 15, 47, 48, 49  
    communication ..... 2, 17, 22–27  
    EAS ..... 2, 30  
    pinouts ..... 51–54  
    power ..... 2  
caution ..... 3, 4, 10, 13, 22–27, 55  
checkout counter ..... 15  
class ..... 56, 57  
compliance ..... 5, 22–27, 59  
components ..... 7, 11  
connector ..... 51–54  
connector panel ..... 9, 12  
current ..... 5, 35, 47, 52  
customer service ..... 2, 59  
cutout ..... 18–19

## D

DC ..... see power  
default settings ..... 43  
depth of field ..... 5, 31–32  
diagnostic indicator ..... 7, 11  
dimensions ..... 8, 12, 15  
display ..... 7, 11, 38–40, 52

## E

EAS ..... 7, 11, 30, 51  
electrical ..... 59  
error codes ..... 38, 39, 40

## F

failure  
    error codes ..... 38–40  
    indicator ..... 35  
    modes ..... 35, 37  
finger recess ..... 4, 7, 11

flow ..... 7, 11  
frame ..... 11  
function ..... 47, 51–54

## G

ground ..... 51–54

## H

host ..... 35, 36, 43, 47–50

## I

indicators ..... 5  
    audible ..... 35, 42, 43, 47–50  
    diagnostic ..... 38–40  
    error codes ..... 38–40  
    failure ..... 37, 38–40  
    visual ..... 7, 11, 35–36, 43, 47, 48  
interface ..... 5, 10, 13  
    RS232 ..... 22–23, 51, 53  
    RS485 ..... 26–27, 51, 53  
    USB ..... 24–25, 51, 53

## L

labels ..... 10, 13  
laser aperture ..... 7, 11  
LED ..... see indicators  
light source ..... 5

## M

maintenance ..... 38  
manual ..... 2, 17, 35  
mechanical ..... 59  
modes ..... 41  
mounting ..... 15, 18–19

## N

notices ..... 56, 57

## O

operation ..... 56, 57  
output window ..... 38

## P

photocell ..... 33  
pinouts ..... 51–54  
platter ..... 3, 4, 7, 11, 15, 17  
port ..... 48, 49  
power ..... 2, 5, 15, 22–27, 47, 51, 52  
power save ..... 41, 42  
protocols ..... 43

---

**R**

razzberry tone ..... 35, 36, 37

regulatory compliance..... 55–56

repair..... 37, 38, 39, 40, 59

RMA..... 59

**S**

safety ..... 56, 57

scale ..... 52

scan pattern ..... 5

scan speed ..... 5

scan zone ..... 31–32

scanner

    pinouts ..... 51–54

secondary scanner ..... 28, 29

SELV..... 22–27

service ..... 59

specifications ..... 4–6

storage..... 5

switch..... 30

**T**

test..... 43

tone..... 7, 11, 35, 42

transformer ..... *see power*

troubleshooting ..... 47–50

**V**

ventilation ..... 5, 15

voltage ..... 2, 5, 22–27, 52

volume ..... 7, 11, 42

**W**

warranty..... 47, 59

weight ..... 5

window..... 3, 4, 7, 15

# Customer Support

## Technical Assistance

If you need assistance installing or troubleshooting your device, please call your distributor or the nearest technical support office:

### North America/Canada

Telephone: (800) 782-4263

E-mail: [hsmnasupport@honeywell.com](mailto:hsmnasupport@honeywell.com)

### Latin America

Telephone: (803) 835-8000

Telephone: (800) 782-4263

E-mail: [hsmlasupport@honeywell.com](mailto:hsmlasupport@honeywell.com)

### Brazil

Telephone: +55 (21) 3535-9100

Fax: +55 (21) 3535-9105

E-mail: [brsuporte@honeywell.com](mailto:brsuporte@honeywell.com)

### Mexico

Telephone: (803) 835-8000

E-mail: [ltechsupport@honeywell.com](mailto:ltechsupport@honeywell.com)

### Europe, Middle East, and Africa

Telephone: +31 (0) 40 7999 393

Fax: +31 (0) 40 2425 672

E-mail: [hsmeurosupport@honeywell.com](mailto:hsmeurosupport@honeywell.com)

### Hong Kong

Telephone: +852-29536436

Fax: +851-2511-3557

E-mail: [aptechsupport@honeywell.com](mailto:aptechsupport@honeywell.com)

### Singapore

Telephone: +65-6842-7155

Fax: +65-6842-7166

E-mail: [aptechsupport@honeywell.com](mailto:aptechsupport@honeywell.com)

### China

Telephone: +86 800 828 2803

Fax: +86-512-6762-2560

E-mail: [aptechsupport@honeywell.com](mailto:aptechsupport@honeywell.com)

### Japan

Telephone: +81-3-3839-8511

Fax: +81-3-3839-8519

E-mail: [aptechsupport@honeywell.com](mailto:aptechsupport@honeywell.com)

## Online Technical Assistance

You can also access technical assistance online at [www.honeywellaidc.com](http://www.honeywellaidc.com).

---

## ***Product Service and Repair***

Honeywell International Inc. provides service for all its products through service centers throughout the world. To obtain warranty or non-warranty service, contact the appropriate location below to obtain a Return Material Authorization number (RMA #) before returning the product.

### **North America**

Telephone: (800) 782-4263  
*E-mail: hsmnaservice@honeywell.com*

### **Latin America**

Telephone: (803) 835-8000  
Telephone: (800) 782-4263  
Fax: (239) 263-9689  
*E-mail: laservice@honeywell.com*

### **Brazil**

Telephone: +55 (21) 3535-9100  
Fax: +55 (21) 3535-9105  
*E-mail: brservice@honeywell.com*

### **Mexico**

Telephone: +52 (55) 5203-2100  
Fax: +52 (55) 5531-3672  
*E-mail: mxservice@honeywell.com*

### **Europe, Middle East, and Africa**

Telephone: +31 (0) 40 2901 633  
Fax: +31 (0) 40 2901 631  
*E-mail: euroservice@honeywell.com*

### **Hong Kong**

Telephone: +852-29536436  
Fax: +851-2511-3557  
*E-mail: apservice@honeywell.com*

### **Singapore**

Telephone: +65-6842-7155  
Fax: +65-6842-7166  
*E-mail: apservice@honeywell.com*

### **China**

Telephone: +86 800 828 2803  
Fax: +86-512-6762-2560  
*E-mail: apservice@honeywell.com*

### **Japan**

Telephone: +81-3-3839-8511  
Fax: +81-3-3839-8519  
*E-mail: apservice@honeywell.com*

### ***Online Product Service and Repair Assistance***

You can also access product service and repair assistance online at [www.honeywellaidc.com](http://www.honeywellaidc.com).



**Honeywell Scanning & Mobility**

9680 Old Bailes Road

Fort Mill, SC 29707

[www.honeywellaidc.com](http://www.honeywellaidc.com)



00-05311 Rev C  
February 2010