

Industrial LCD Displays

**RoHS
Compliance**



- ▶ Power Input Range DC 12V, 20V~35V
- ▶ Multi-Signal Inputs: VGA/BNC/S-Video
- ▶ Composite Video Systems
- ▶ Detachable OSD Key Pad
- ▶ Multi-Scan Function Supports XGA/SVGA/VGA/VGA-Text
- ▶ Customized Design Acceptable
- ▶ Meet VESA Standard Wall Mounting
- ▶ Spill Proof Front Panel

Variety Applications

- ▶ Point of Information / Kiosk
- ▶ Banking / ATM
- ▶ Factory Automation / Instruments
- ▶ Navigation / Transportation
- ▶ Industrial PC
- ▶ Security / Surveillance
- ▶ Entertainment
- ▶ Medical Equipments
- ▶ Military Equipments



Metal Frame TFT LCD Series

Heavy-Duty Steel Chassis

- Range: 6.4"/8.4"/10.4"/12.1"/15"
- Heavy-Duty Steel Chassis
- Optional Touch Screen
- Choice of Strengthen Glass to Protect LCD Displays
- Mounting: Apply to VESA mount / Wall mount / Rack mount
Stand Alone / (Optional 19" Rack mount Kits and Stand Base Available)



Optional Accessories



Anti-Reflection Strengthen Glass



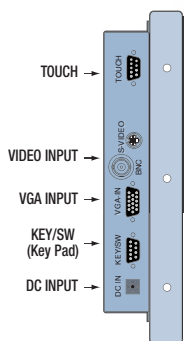
Mounting Bracket

Stand Base

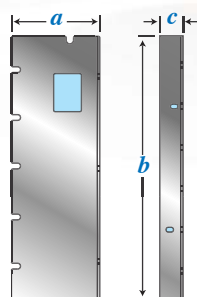


19" Rack Bracket Kit

Signal Panel



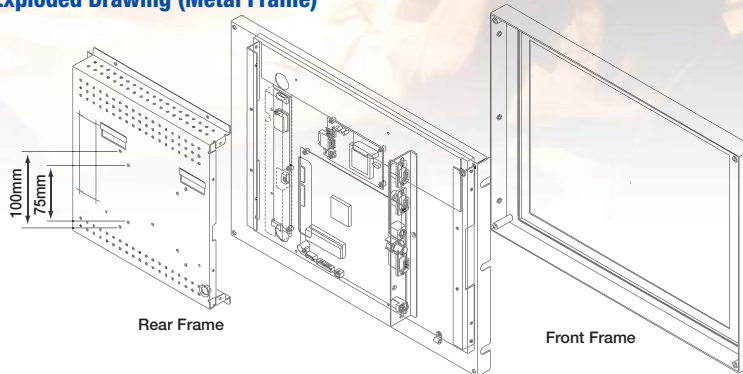
Bracket Size Depends on Model



Model	a	b	c
HI-64	133.3	162.5	18
HI-84	121.7	172.6	18
HI-10	104.5	200	18
HI-12	76	240	23
HI-15	49.8	285.4	25

Unit

Exploded Drawing (Metal Frame)



Model	HI-64Y/G	HI-84Y/G	HI-10Y/G	HI-12Y/G	HI-15Y/G
LCD Panel *	6.4" TFT	8.4" TFT	10.4" TFT	12.1" TFT	15" TFT
Pixel Pitch	0.203 X 0.203 mm	0.213 X 0.213 mm	0.264 X 0.264 mm	0.3075 X 0.3075 mm	0.297 X 0.297 mm
Resolution	640 X 480 VGA	800 X 600 SVGA	800 X 600 SVGA	800 X 600 SVGA	1024 X 768 XGA
Effective Display Area	129.6 X 97.44 mm	170.4 X 127.8 mm	211.2 X 158.4 mm	246.0 X 184.5 mm	304.1 X 228.1 mm
Color	262,144	262,144	262,144	262,144	262,144
Response Time(tr/ta)	15/25 ms	10/25ms	10/25 ms	10/25 ms	6/17 ms
Contrast Ratio	400:1	350:1	500:1	500:1	400:1
Brightness	400 cd/m ²	220 cd/m ²	230 cd/m ²	400 cd/m ²	350 cd/m ²
View Angle	T: 15° B: 35° L: 50° R: 50°	T: 60° B: 40° L: 60° R: 60°	T: 35° B: 65° L: 60° R: 60°	T: 50° B: 60° L: 70° R: 70°	T: 40° B: 60° L: 60° R: 60°
Backlight	2 CCFL	1 CCFL	1 CCFL	2 CCFL	2 CCFL
Lamp Life	20000 hrs	20000 hrs	20000 hrs	20000 hrs	50000 hrs
Input Signal	Analog VGA & Video (Composite Video System PAL / NTSC / SECAM)				
Input Connector	D-Sub 15Pin, BNC Jack, S-VHS Din Type				
Scan Frequency	H: 31.5~37.8KHz / V: 60~75Hz	H: 31.5~48KHz / V: 56~75Hz	H: 31.5~48KHz / V: 56~75Hz	H: 31.5~48KHz / V: 56~75Hz	H: 31.5~60KHz / V: 56~75Hz
Control	On Screen Display				
Power Adaptor	AC 100~240 V, 50/60Hz				
Power Input	Terminal Block Input DC 12V ± 5%, 24V~35V / 2A ; 35V ± 5%				
Power Management	VESA DPMS Standard				
Consumption	14W / Stand by 1 w	11W / Stand by 1 w	12W / Stand by 1 w	18W / Stand by 1 w	23W / Stand by 1 w
Operating Temperature/Humidity	0 ~ 50°C / 20 ~ 85%RH				
Storage Temperature/Humidity	-20 ~ 60°C / 10 ~ 90%RH				
Sync Signal	TTL Level +/- Polarity				
Scanning	Non-Interlace				
Dimension(mm)(WxHxD)	212.5 x 162.5 x 65.2	235.6 x 172.6 x 58	270 x 200 x 59	330 x 240 x 55	379.4 x 285.4 x 57
Net Weight(Kg)	1.6	1.8	2.0	3.2	4.2
Safety & EMI	CE (EMC+LVD) / FCC	CE (EMC+LVD) / FCC	CE (EMC+LVD) / FCC	CE (EMC+LVD) / FCC	CE (EMC+LVD) / FCC / ETL
Vibration	10Hz / One-way 1n/m				
Pixel (MHz)	31.5 MHz	50 MHz	50 MHz	50 MHz	78.75 MHz
Content	LCD Monitor, Key Pad, VGA Cable, Power Adaptor				
Optional	Touch Panel / Strengthen Glass				

* Panel Spec. depends on MFC
Specification subject to change without notice.

2006.06



台灣視訊系統股份有限公司
TAIWAN VIDEO SYSTEM CO., LTD.
http://www.tvs.com.tw e-mail: info@tvs.com.tw

TVS GROUP
USA TVSA e-mail: info@eversun.com
Germany TVSG e-mail: info@tvs.de
China TVSC e-mail: info@tvs.com.cn



ISO 9001
ISO 14001